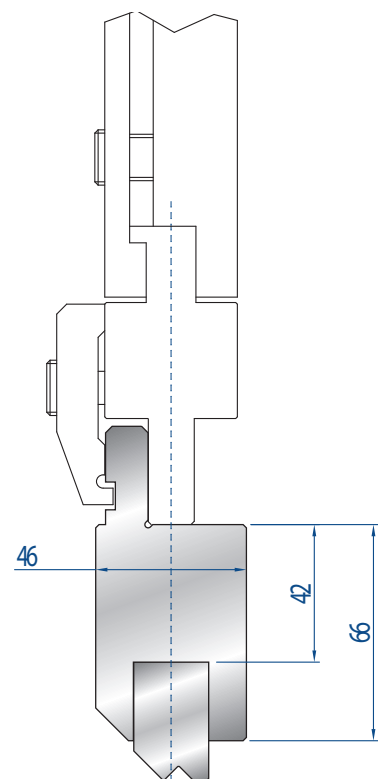


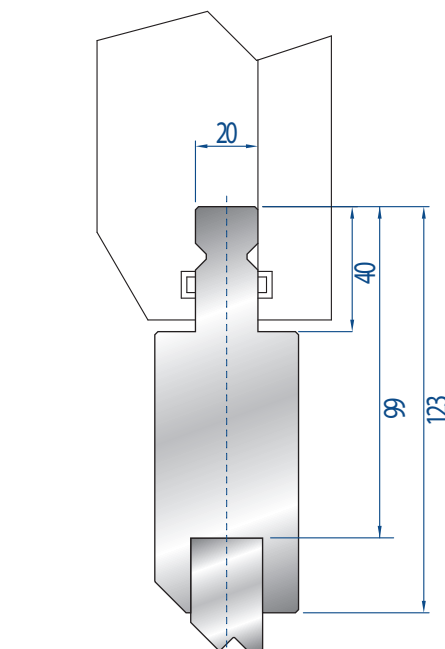
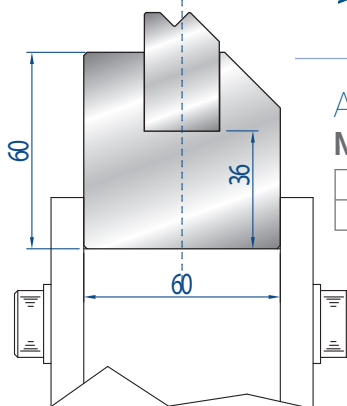
Attacco RF-A incluso  
su richiesta  
RF-A tang included  
on demand



1150

Amada/Promecam  
Mat = C45

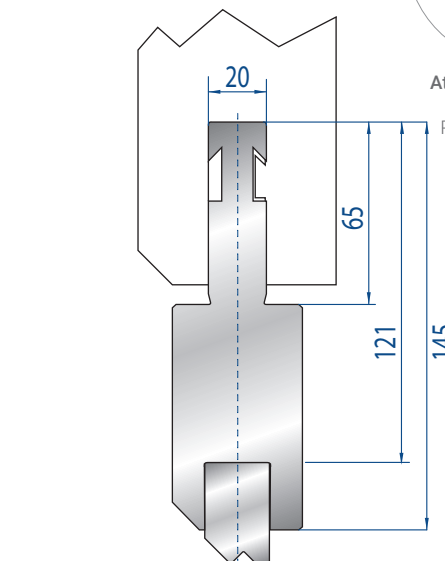
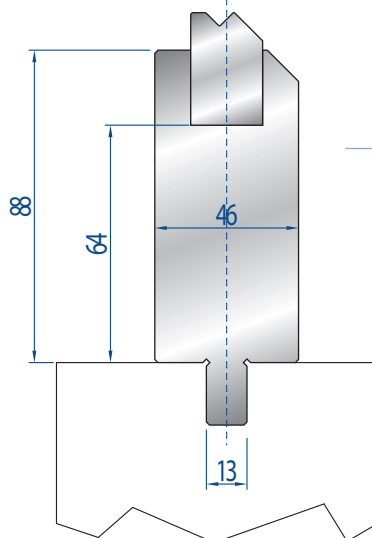
835 mm	38,0 kg
415 mm	19,0 kg



1242

Trumpf/ Wila  
Mat = C45

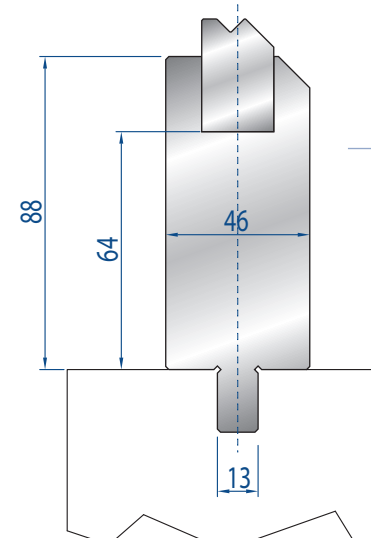
835 mm	50,0 kg
415 mm	25,0 kg

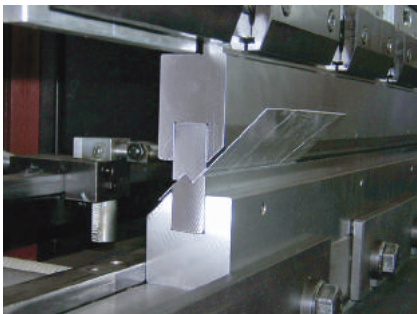
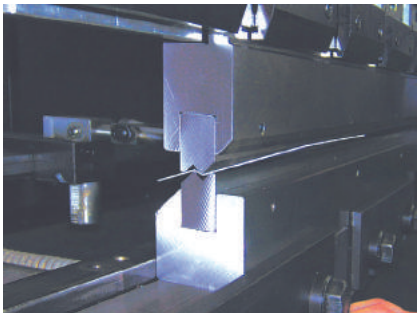


1198

Bystronic  
Mat = C45

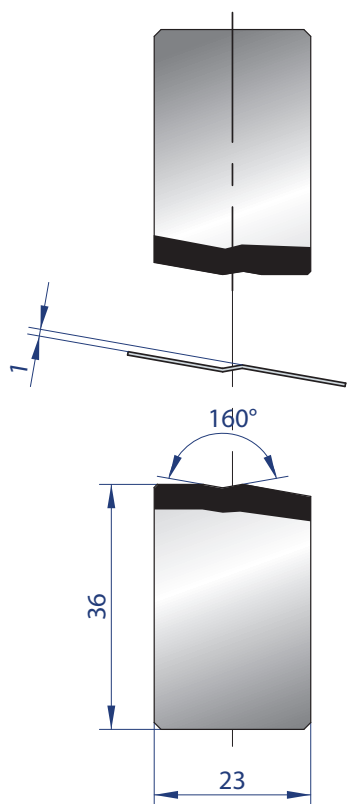
835 mm	51,7 kg
415 mm	25,7 kg





CODE	Z	GRADI DEGREES	SPESSORE MAX. LAMIERA MAX SHEET THICKNESS
1130	1	160°	0,5 mm
1276	1	90°	0,5 mm
1131	1,5	160°	0,6 mm
1277	1,5	90°	0,6 mm
1132	2	150°	0,8 mm
1274	2	90°	0,8 mm
1133	2,5	140°	1,0 mm
1275	2,5	90°	1,0 mm
1134	3	90°	1,0 mm
1135	3,5	90°	1,2 mm
1136	4	90°	1,2 mm
1137	4,5	90°	1,5 mm
1138	5	90°	1,5 mm
1139	5,5	90°	1,5 mm
1140	6	90°	1,5 mm
1141	6,5	90°	1,5 mm
1142	7	90°	2,0 mm
1143	7,5	90°	2,0 mm
1144	8	90°	2,5 mm
1145	9	90°	2,5 mm
1146	10	90°	3,0 mm
1147	11	90°	3,0 mm
1148	12	90°	3,0 mm
1278	13	90°	3,0 mm
1279	14	90°	3,0 mm
1280	15	90°	3,0 mm

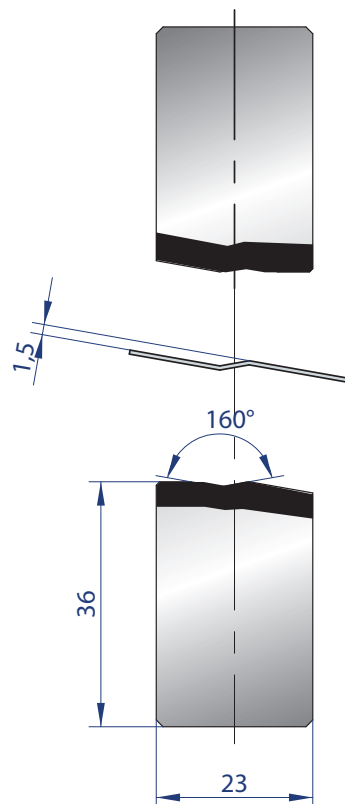




1130

160°  
Mat = C45

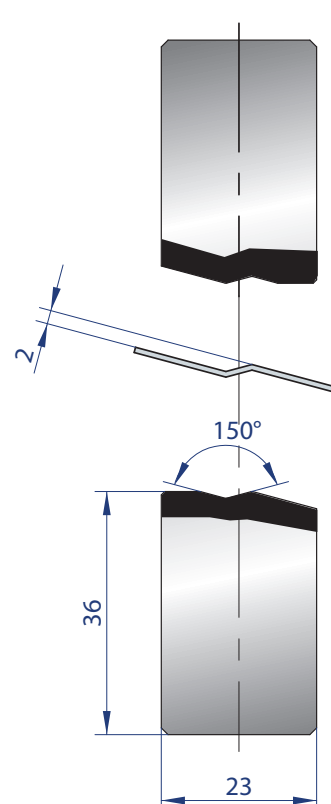
835 mm	10,0 kg
415 mm	5,0 kg



1131

160°  
Mat = C45

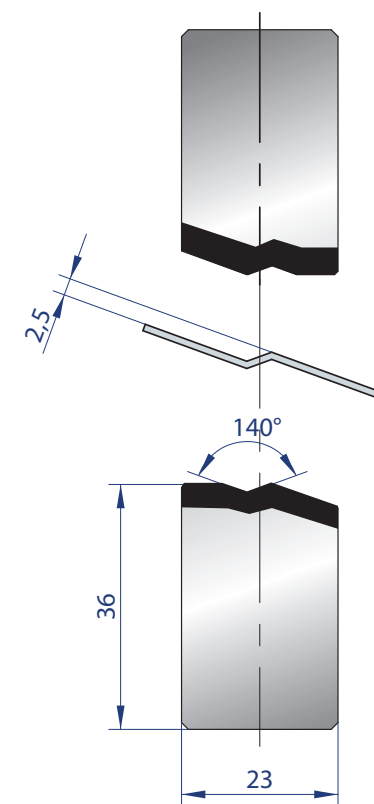
835 mm	10,0 kg
415 mm	5,0 kg



1132

150°  
Mat = C45

835 mm	10,0 kg
415 mm	5,0 kg

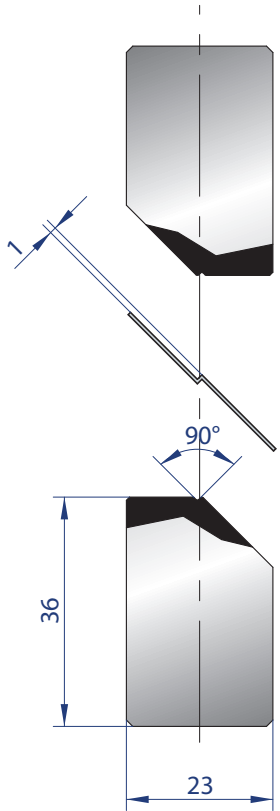


1133

140°  
Mat = C45

835 mm	10,0 kg
415 mm	5,0 kg

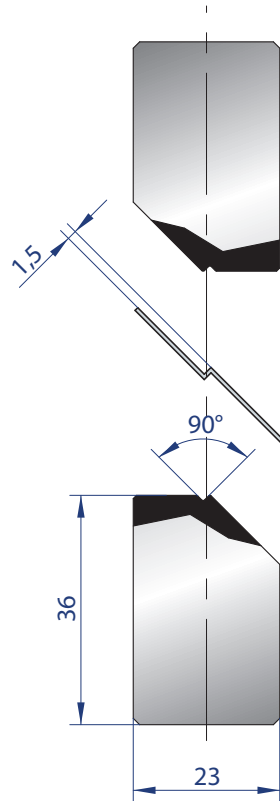
PER VERIFICARE LA FATTIBILITÀ DELLA PIEGA IN BASE ALLO SPESSORE LAMIERA, VEDI TABELLA PAGINA 24  
TO CHOOSE THE RIGHT JOGGLE TOOL BASED ON THE SHEET THICKNESS, PLEASE SEE THE CHART ON PAGE 24



1276

90°  
Mat = C45

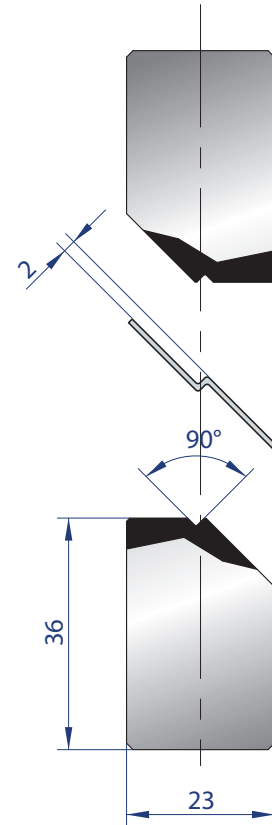
835 mm	10,0 kg
415 mm	5,0 kg



1277

90°  
Mat = C45

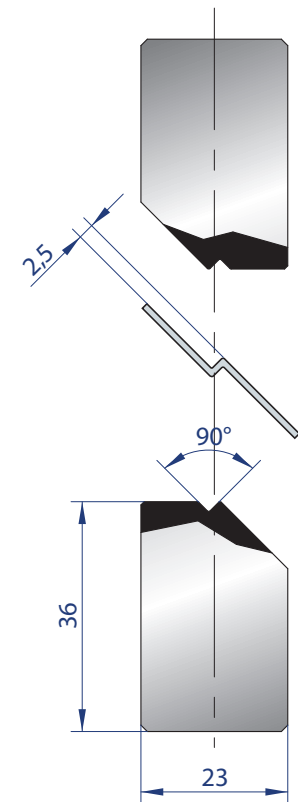
835 mm	10,0 kg
415 mm	5,0 kg



1274

90°  
Mat = C45

835 mm	10,0 kg
415 mm	5,0 kg



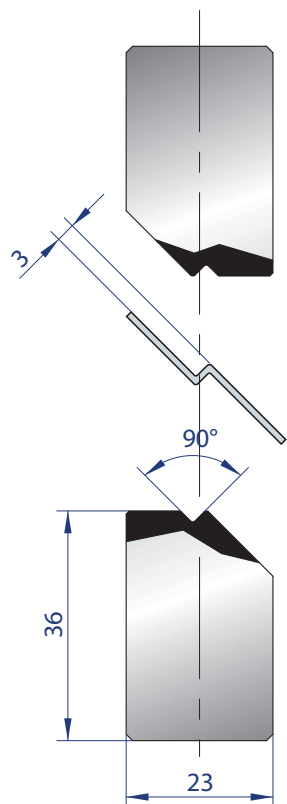
1275

90°  
Mat = C45

835 mm	10,0 kg
415 mm	5,0 kg

PER VERIFICARE LA FATTIBILITÀ DELLA PIEGA IN BASE ALLO SPESSORE LAMIERA, VEDI TABELLA PAGINA 24  
TO CHOOSE THE RIGHT JOGGLE TOOL BASED ON THE SHEET THICKNESS, PLEASE SEE THE CHART ON PAGE 24

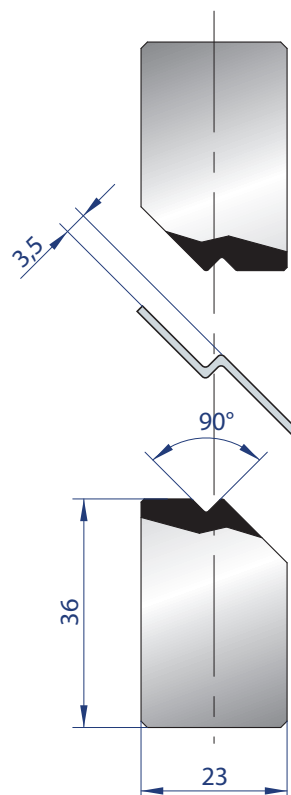




1134

90°  
Mat = C45

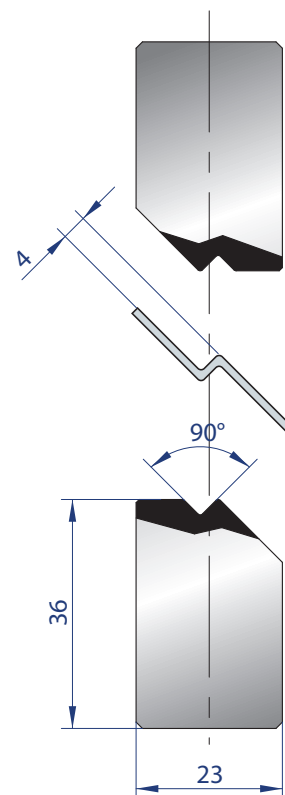
835 mm	10,0 kg
415 mm	5,0 kg



1135

90°  
Mat = C45

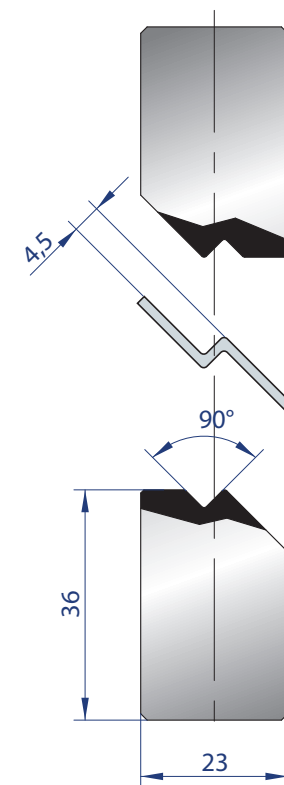
835 mm	10,0 kg
415 mm	5,0 kg



1136

90°  
Mat = C45

835 mm	10,0 kg
415 mm	5,0 kg

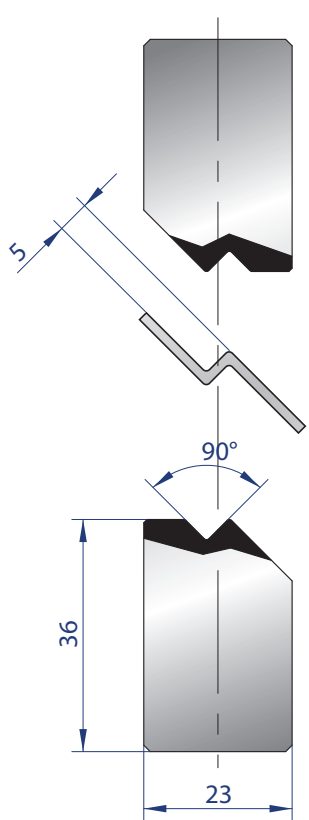


1137

90°  
Mat = C45

835 mm	10,0 kg
415 mm	5,0 kg

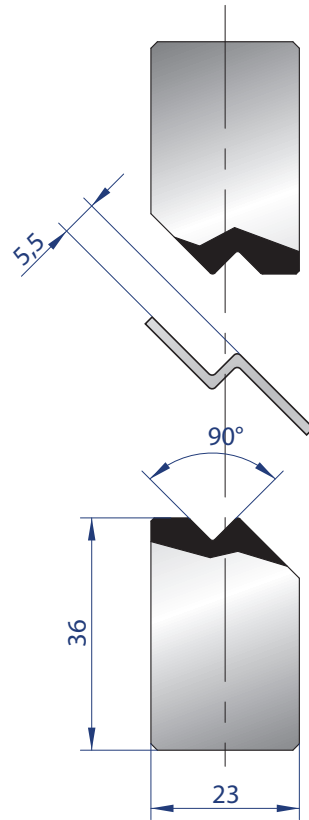
PER VERIFICARE LA FATTIBILITÀ DELLA PIEGA IN BASE ALLO SPESSORE LAMIERA, VEDI TABELLA PAGINA 24  
TO CHOOSE THE RIGHT JOGGLE TOOL BASED ON THE SHEET THICKNESS, PLEASE SEE THE CHART ON PAGE 24



1138

90°  
Mat = C45

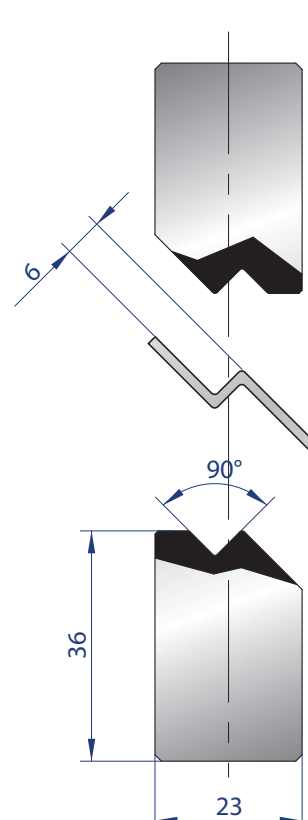
835 mm	10,0 kg
415 mm	5,0 kg



1139

90°  
Mat = C45

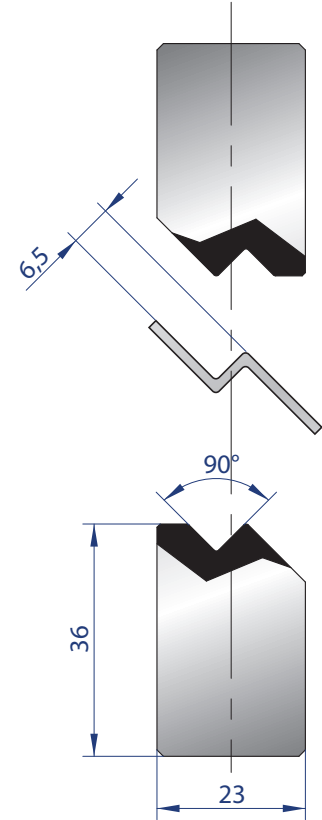
835 mm	10,0 kg
415 mm	5,0 kg



1140

90°  
Mat = C45

835 mm	10,0 kg
415 mm	5,0 kg



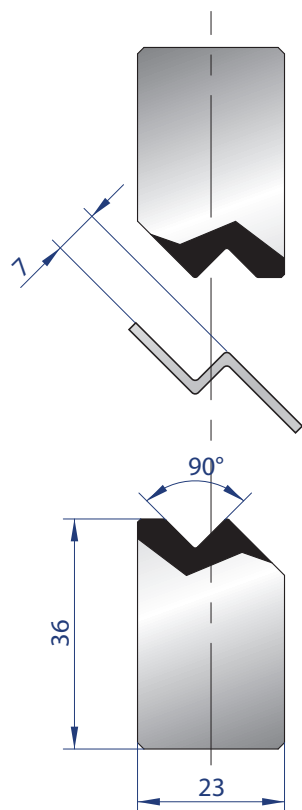
1141

90°  
Mat = C45

835 mm	10,0 kg
415 mm	5,0 kg

PER VERIFICARE LA FATTIBILITÀ DELLA PIEGA IN BASE ALLO SPESSORE LAMIERA, VEDI TABELLA PAGINA 24  
TO CHOOSE THE RIGHT JOGGLE TOOL BASED ON THE SHEET THICKNESS, PLEASE SEE THE CHART ON PAGE 24

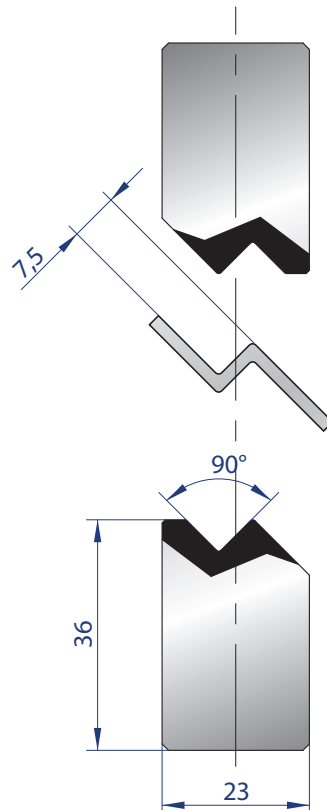




1142

90°  
Mat = C45

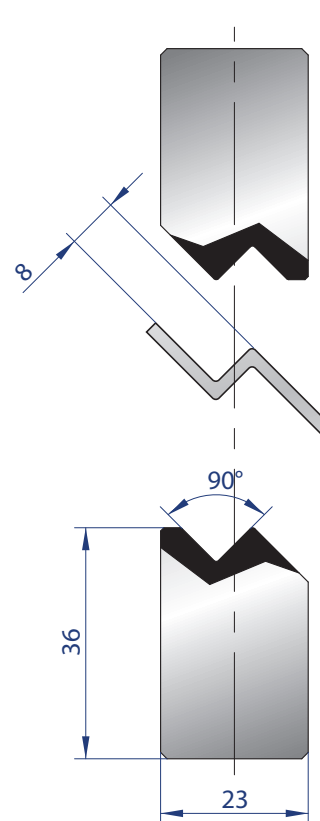
835 mm	10,0 kg
415 mm	5,0 kg



1143

90°  
Mat = C45

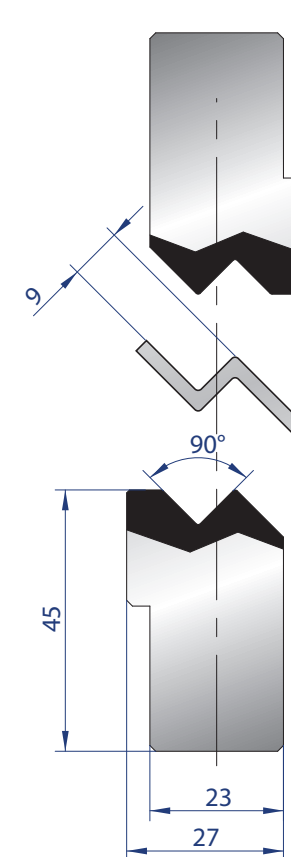
835 mm	10,0 kg
415 mm	5,0 kg



1144

90°  
Mat = C45

835 mm	10,0 kg
415 mm	5,0 kg

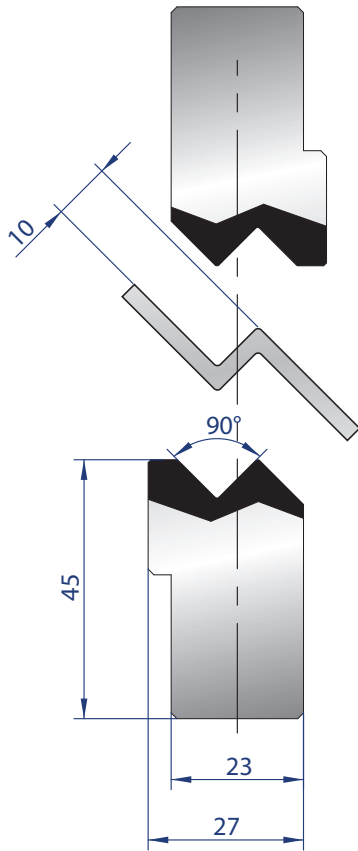


1145

90°  
Mat = C45

835 mm	11,0 kg
415 mm	6,0 kg

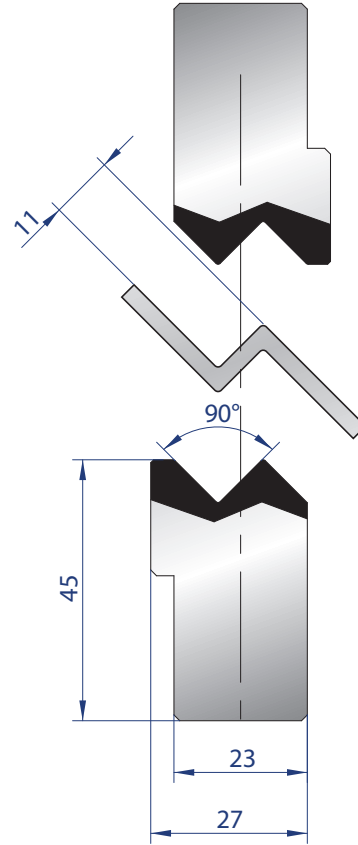
PER VERIFICARE LA FATTIBILITÀ DELLA PIEGA IN BASE ALLO SPESSORE LAMIERA, VEDI TABELLA PAGINA 24  
TO CHOOSE THE RIGHT JOGGLE TOOL BASED ON THE SHEET THICKNESS, PLEASE SEE THE CHART ON PAGE 24



1146

90°  
Mat = C45

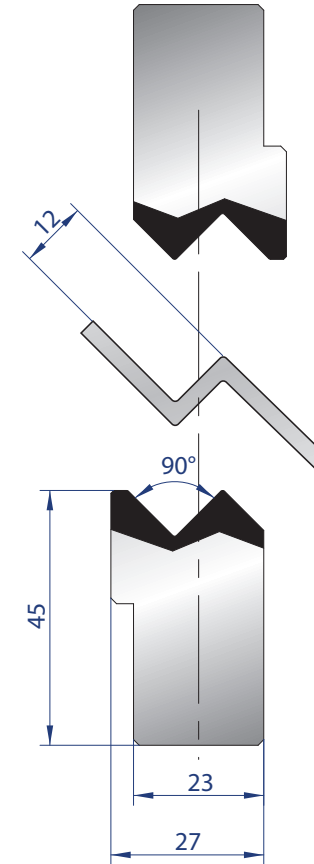
835 mm	11,0 kg
415 mm	6,0 kg



1147

90°  
Mat = C45

835 mm	11,0 kg
415 mm	6,0 kg



1148

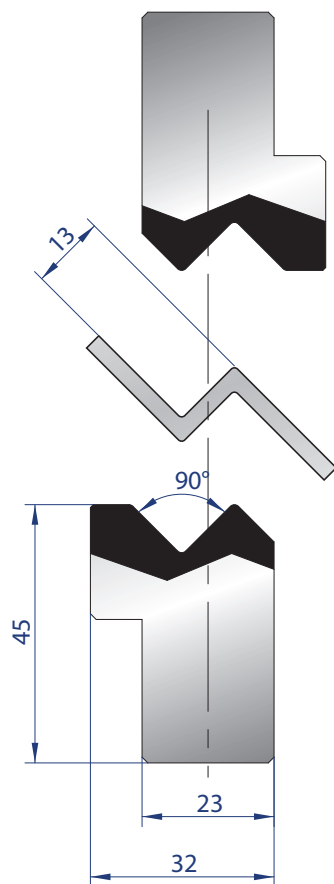
90°  
Mat = C45

835 mm	11,0 kg
415 mm	6,0 kg

PER VERIFICARE LA FATTIBILITÀ DELLA PIEGA IN BASE ALLO SPESSORE LAMIERA, VEDI TABELLA PAGINA 24  
TO CHOOSE THE RIGHT JOGGLE TOOL BASED ON THE SHEET THICKNESS, PLEASE SEE THE CHART ON PAGE 24



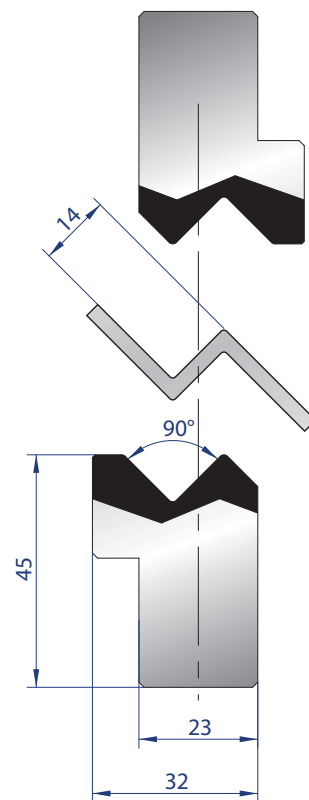




1278

90°  
Mat = C45

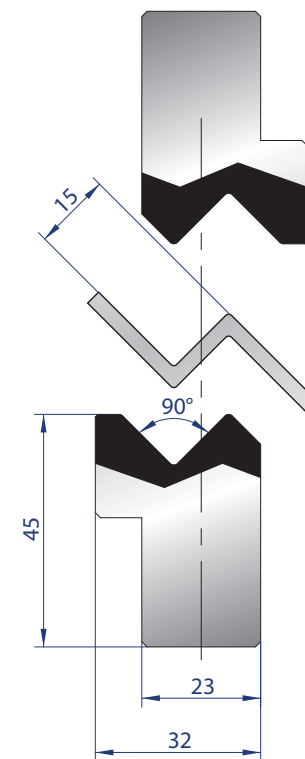
835 mm	12,0 kg
415 mm	6,0 kg



1279

90°  
Mat = C45

835 mm	12,0 kg
415 mm	6,0 kg



1280

90°  
Mat = C45

835 mm	12,0 kg
415 mm	6,0 kg

PER VERIFICARE LA FATTIBILITÀ DELLA PIEGA IN BASE ALLO SPESSORE LAMIERA, VEDI TABELLA PAGINA 24  
TO CHOOSE THE RIGHT JOGGLE TOOL BASED ON THE SHEET THICKNESS, PLEASE SEE THE CHART ON PAGE 24