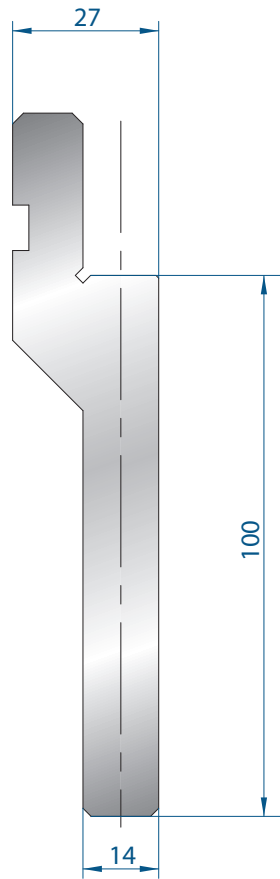


1036

Amada Promecam
Mat = C45
Max T/m = 100

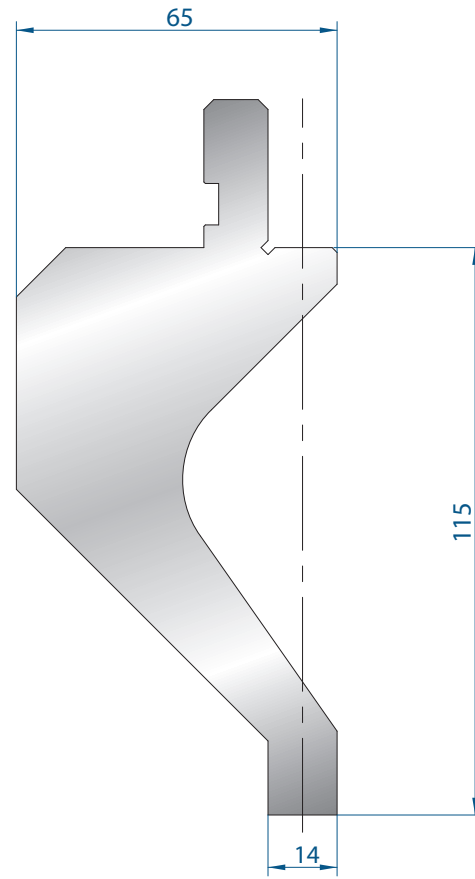
830 mm	10,0 kg
410 mm	5,0 kg



1096

Amada Promecam
Mat = C45
Max T/m = 100

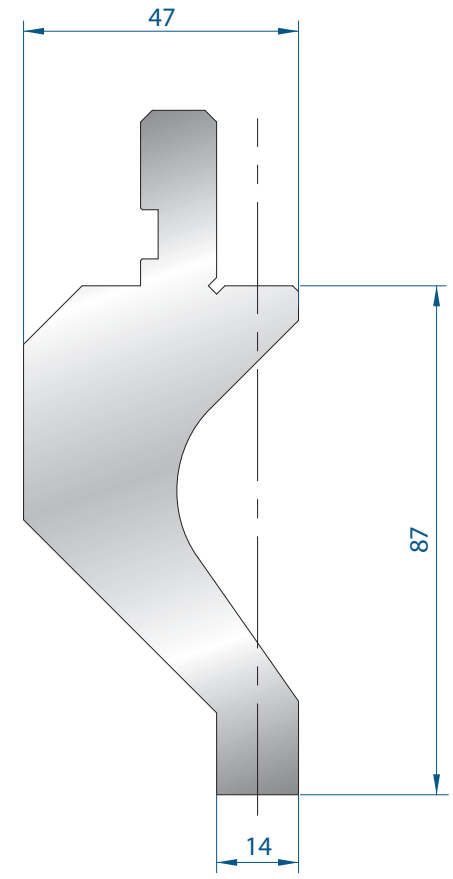
830 mm	13,0 kg
410 mm	6,0 kg



1090

Amada Promecam
Mat = C45
Max T/m = 50

830 mm	26,0 kg
410 mm	13,0 kg

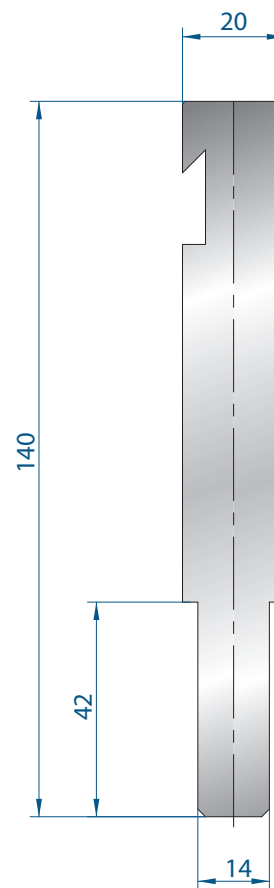
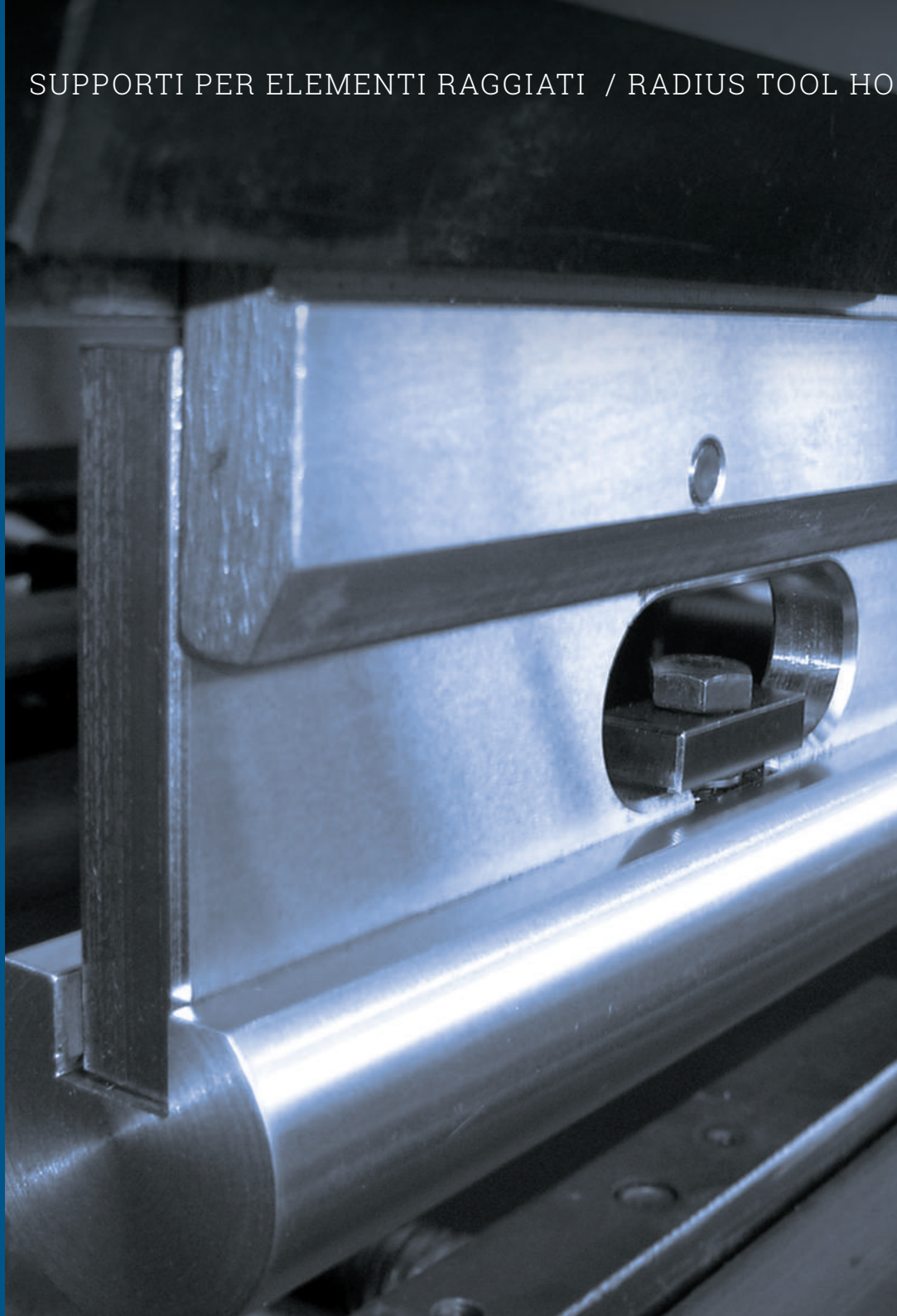


1091

Amada Promecam
Mat = C45
Max T/m = 50

830 mm	16,0 kg
410 mm	8,0 kg

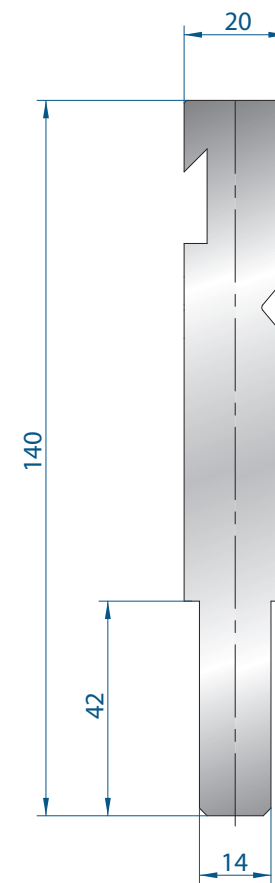




1239

Bystronic R
Mat = C45
Max T/m = 100

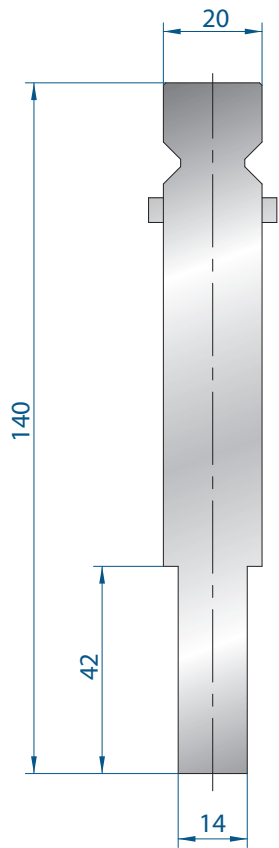
830 mm	15,0 kg
410 mm	7,0 kg



1273

Bystronic RF - A
Mat = C45
Max T/m = 100

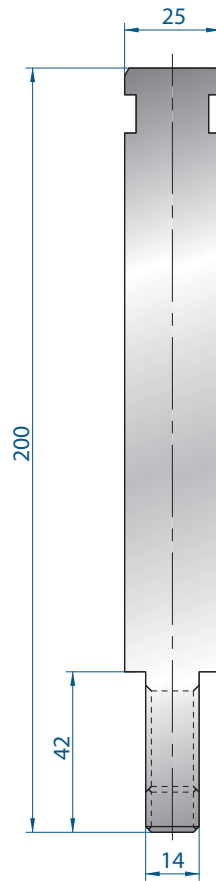
830 mm	16,0 kg
410 mm	8,0 kg



1240

Trumpf / Wila
Mat = C45
Max T/m = 100

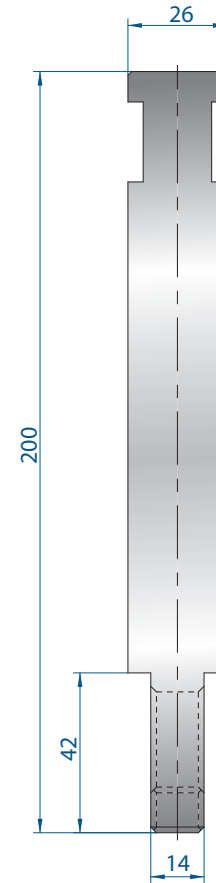
830 mm	16,0 kg
410 mm	8,0 kg



1305

Weinbrenner
Mat = C45
Max T/m = 100

830 mm	28,0 kg
410 mm	14,0 kg

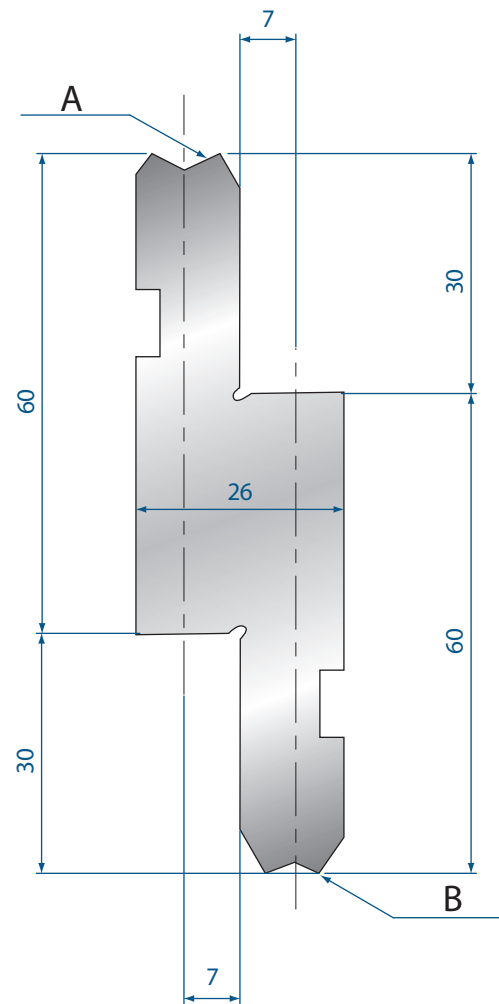


1306

EHT
Mat = C45
Max T/m = 100

830 mm	28,0 kg
410 mm	14,0 kg

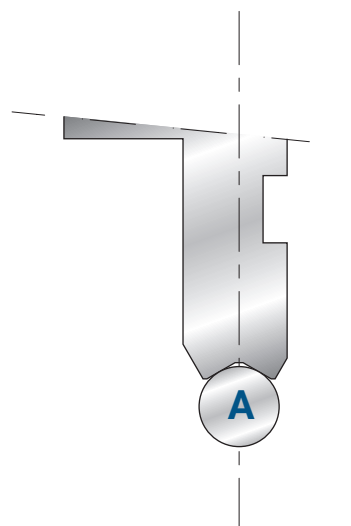




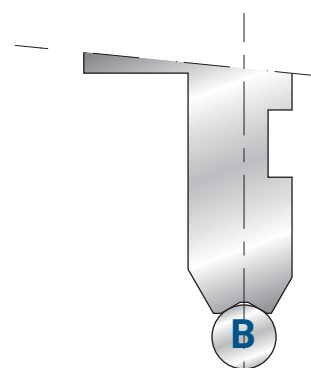
1155

Amada/Promecam
Mat = C45

830 mm	9,0 kg
410 mm	4,0 kg



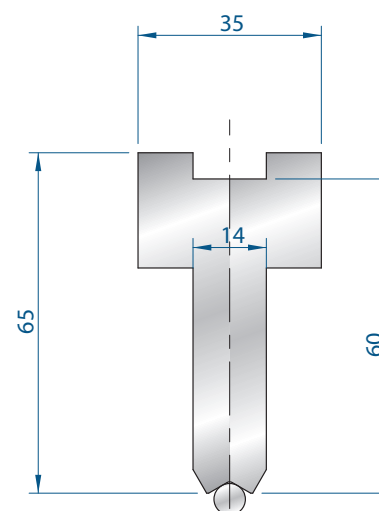
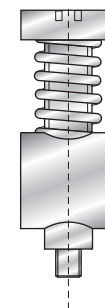
da R 5 a R 6,5
from R 5 to R 6,5



da R 3 a R 4,5
from R 3 to R 4,5

4275

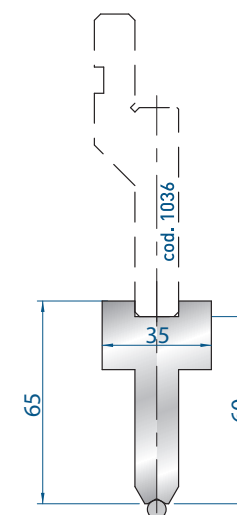
Pezzo di ricambio /
spare part



1297

EHT
da R 5 a R 6,5
from R 5 to R 6,5

830 mm	8,0 kg
410 mm	4,0 kg

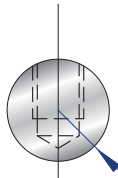


1296

EHT
da R 3 a R 4,5
from R 3 to R 4,5

830 mm	8,0 kg
410 mm	4,0 kg

1180

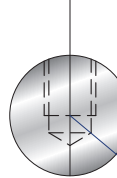


Mat = C45

835 mm	1,0 kg
415 mm	0,5 kg

R 3

1181

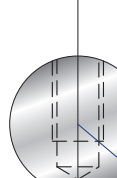


Mat = C45

835 mm	1,0 kg
415 mm	0,5 kg

R 3,5

1182



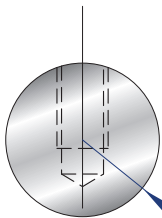
Mat = C45

835 mm	1,0 kg
415 mm	0,5 kg

R 4



1183

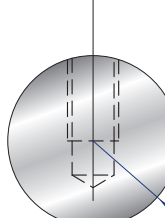


Mat = C45

835 mm	1,0 kg
415 mm	0,5 kg

R 4,5

1184

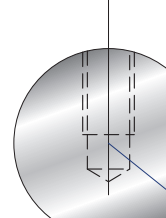


Mat = C45

835 mm	1,0 kg
415 mm	0,5 kg

R 5

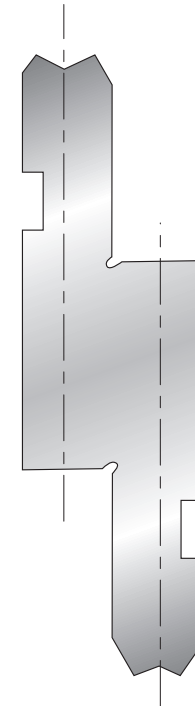
1185



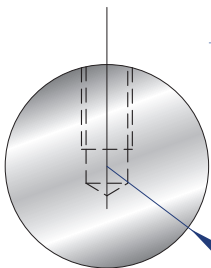
Mat = C45

835 mm	1,0 kg
415 mm	0,5 kg

R 5,5



1186

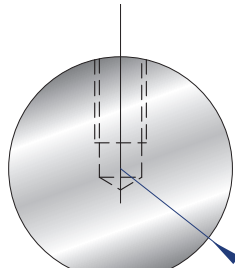


Mat = C45

835 mm	1,0 kg
415 mm	0,5 kg

R 6

1187



Mat = C45

835 mm	1,0 kg
415 mm	0,5 kg

R 6,5

SOLO PER SUPPORTI 1155 - 1296 - 1297
ONLY FOR HOLDERS 1155 - 1296 - 1297

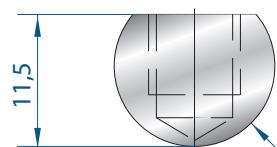


ELEMENTI RAGGIATI / RADIUS TOOLS

DISPONIBILE ANCHE NELLA VERSIONE NITRURATA

AVAILABLE ALSO IN THE VERSION NITRIDED

1100

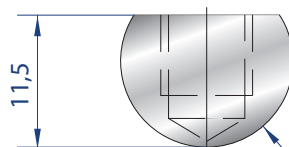


Mat = C45

835 mm	0,8 kg
415 mm	0,4 kg

R7

1101

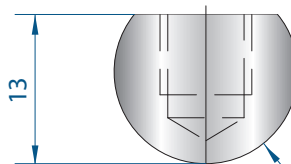


Mat = C45

835 mm	1,0 kg
415 mm	0,5 kg

R 7,5

1102

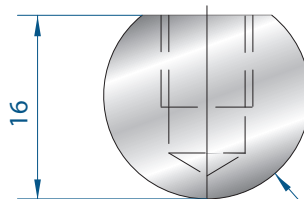


Mat = C45

835 mm	1,0 kg
415 mm	0,5 kg

R 8

1103

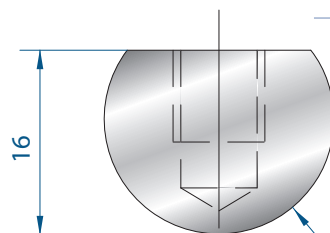


Mat = C45

835 mm	1,0 kg
415 mm	0,5 kg

R 9

1037

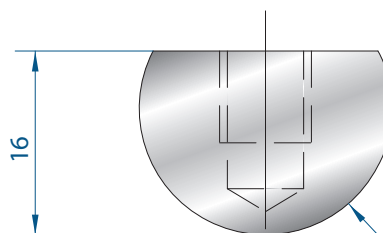


Mat = C45

835 mm	2,0 kg
415 mm	1,0 kg

R 10

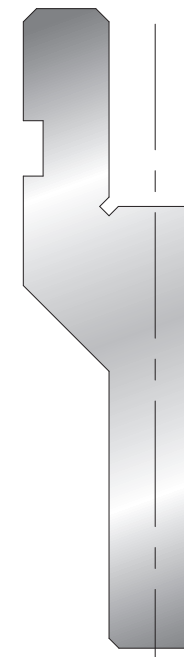
1104

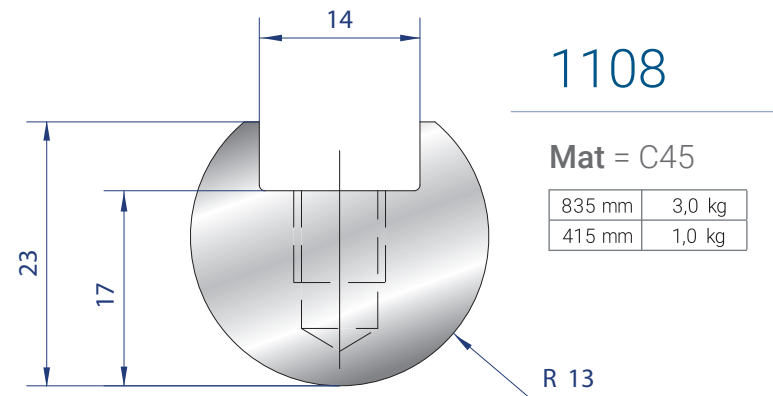
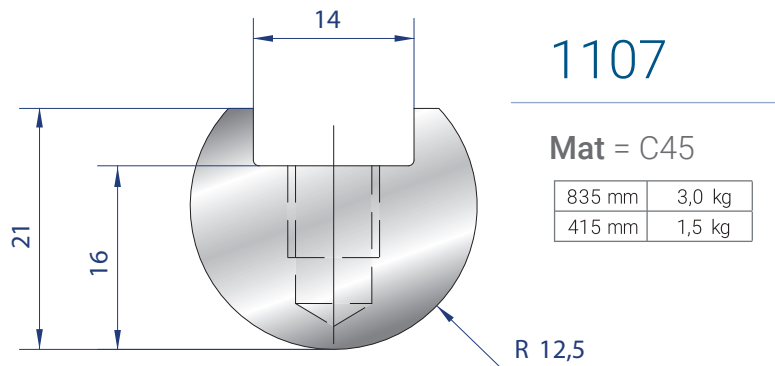
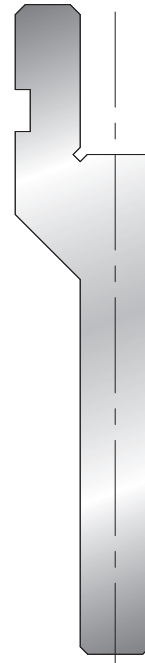
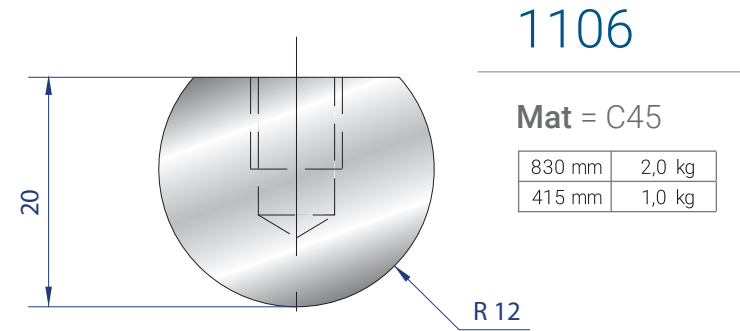
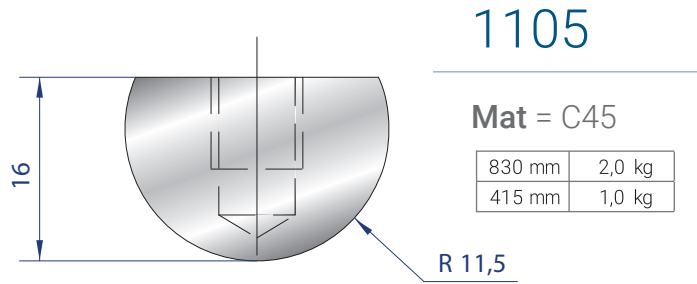


Mat = C45

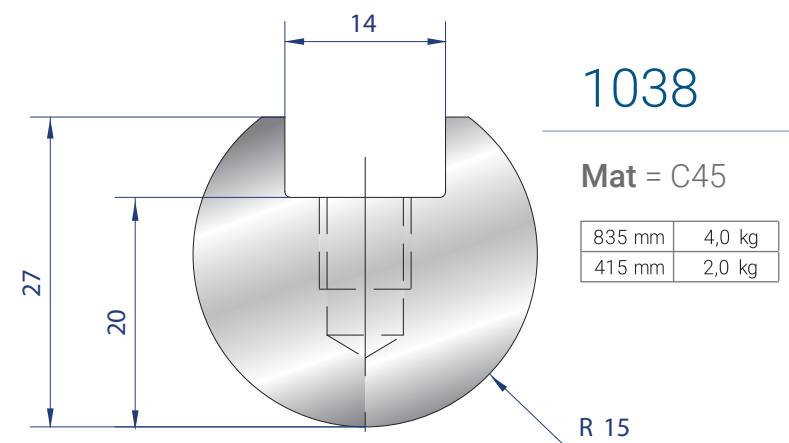
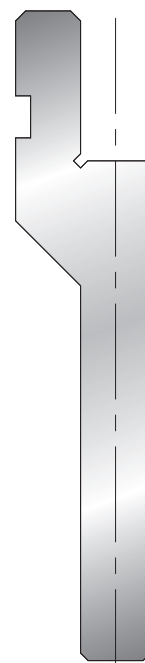
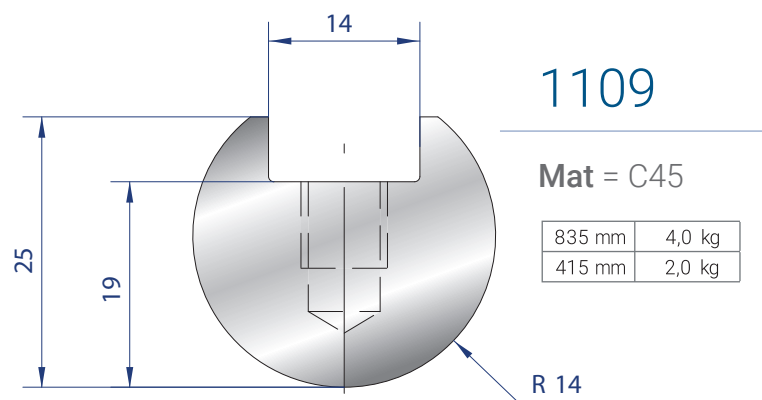
835 mm	2,0 kg
415 mm	1,0 kg

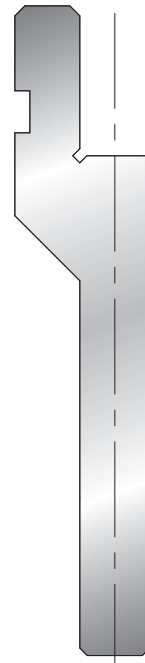
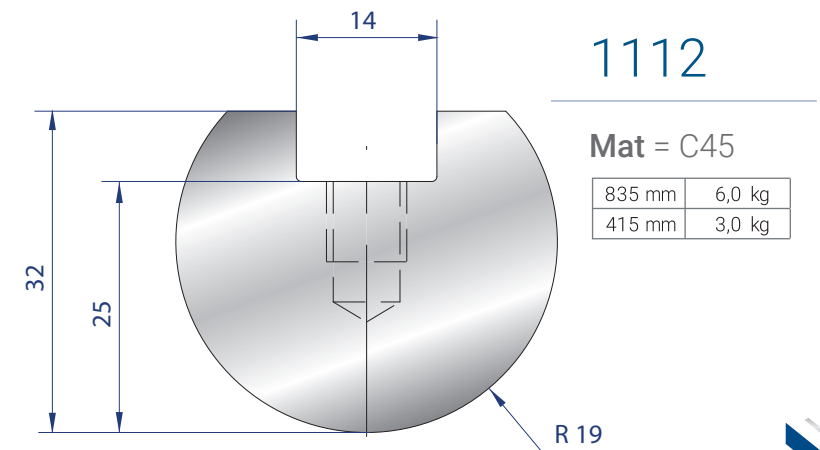
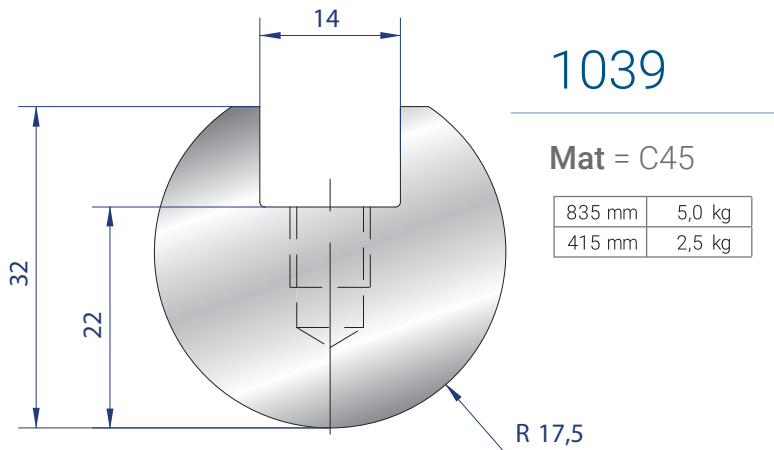
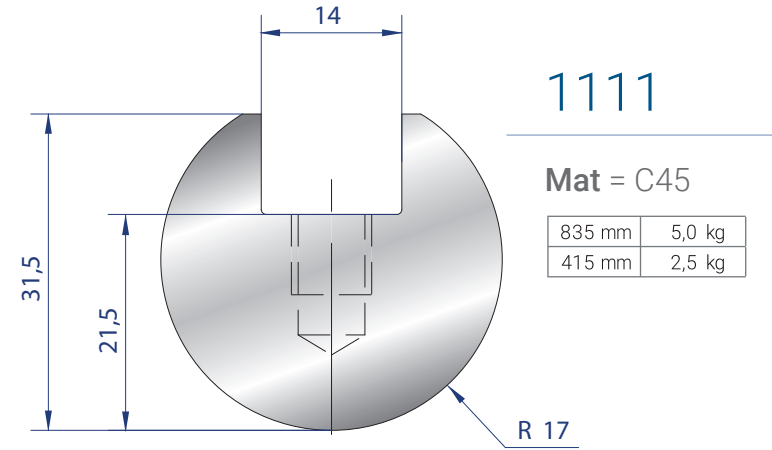
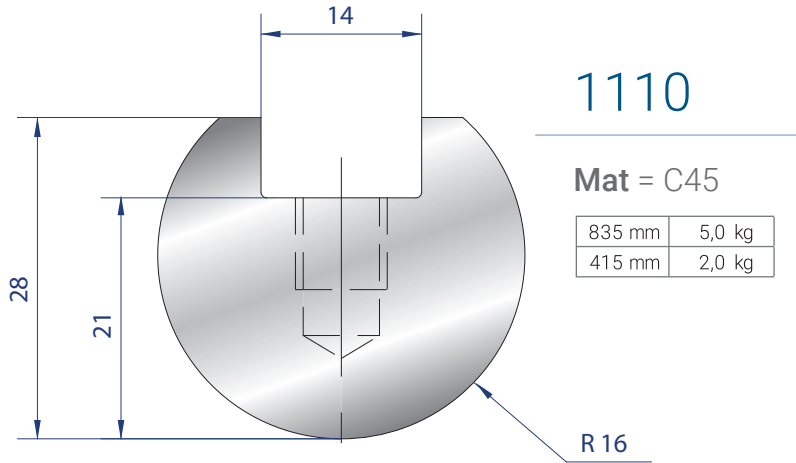
R 11



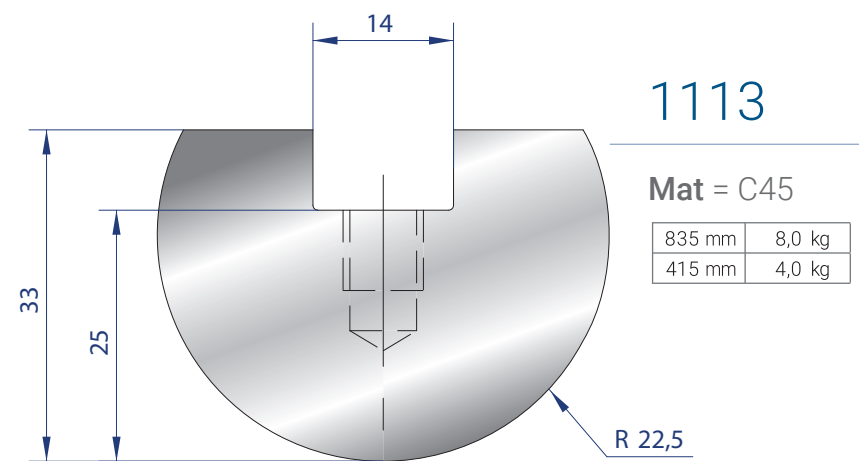
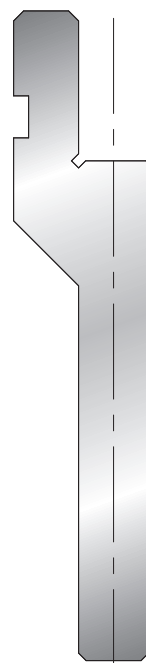
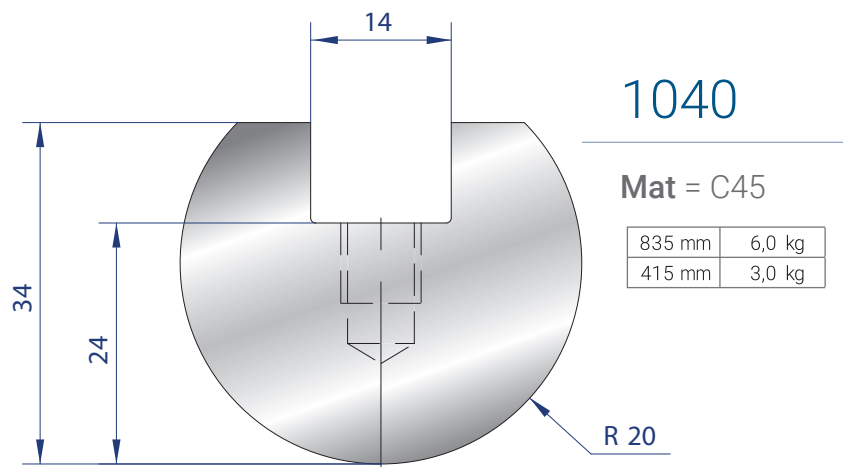


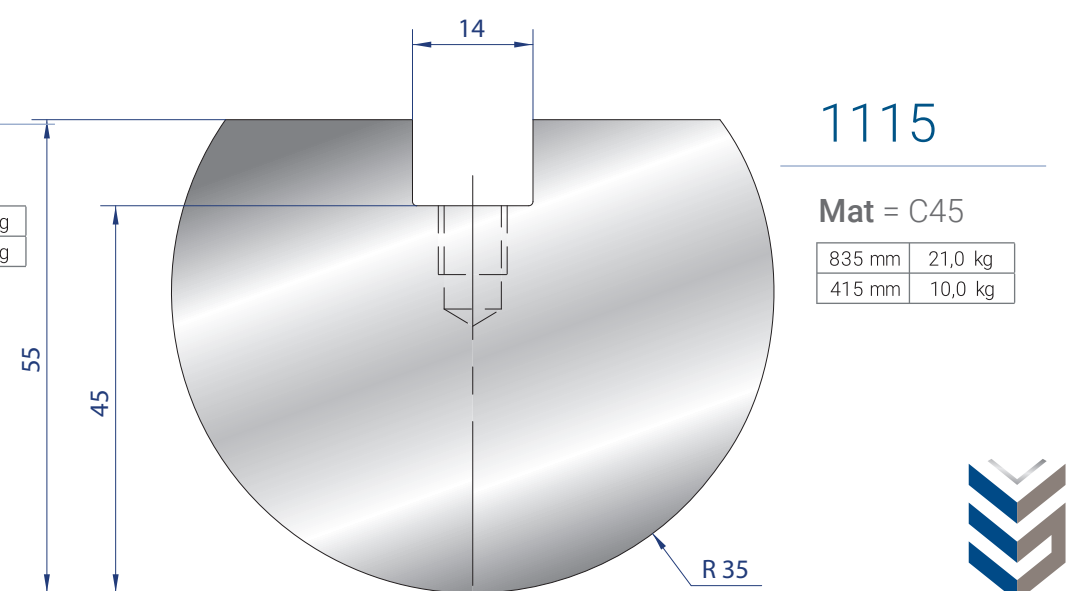
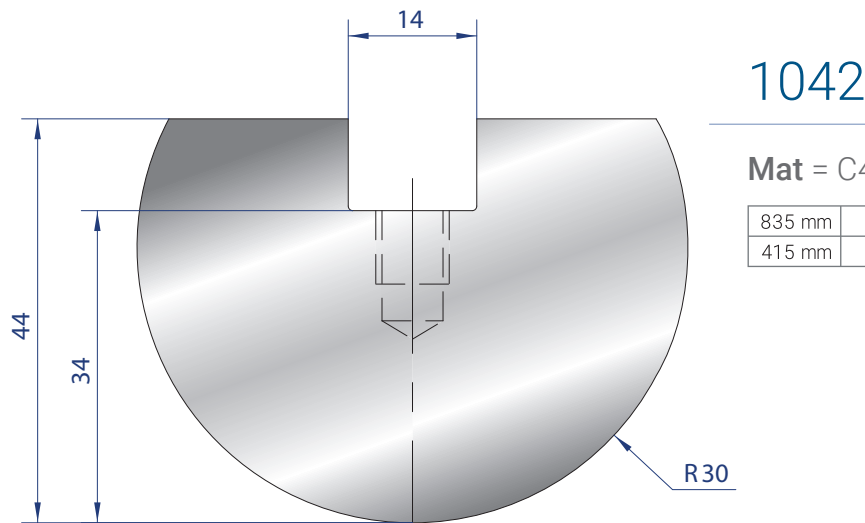
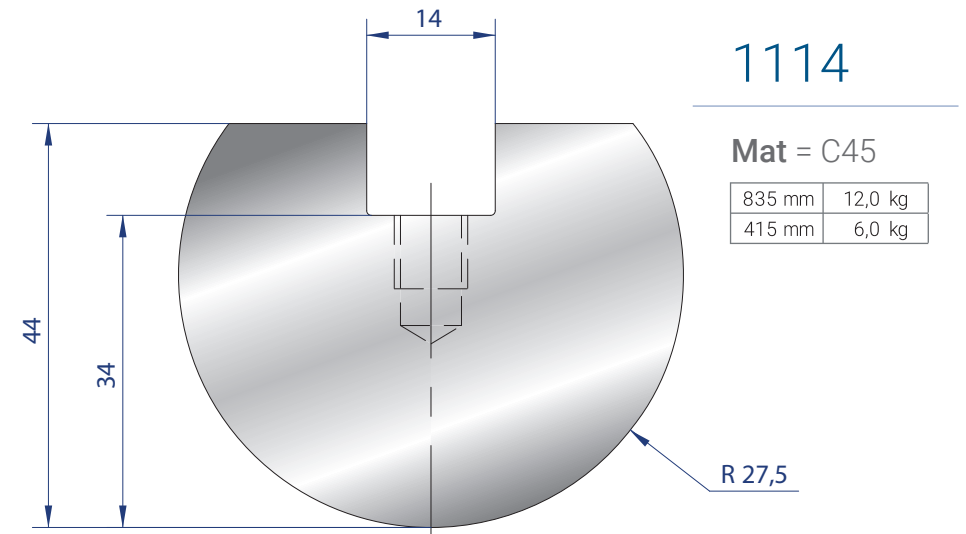
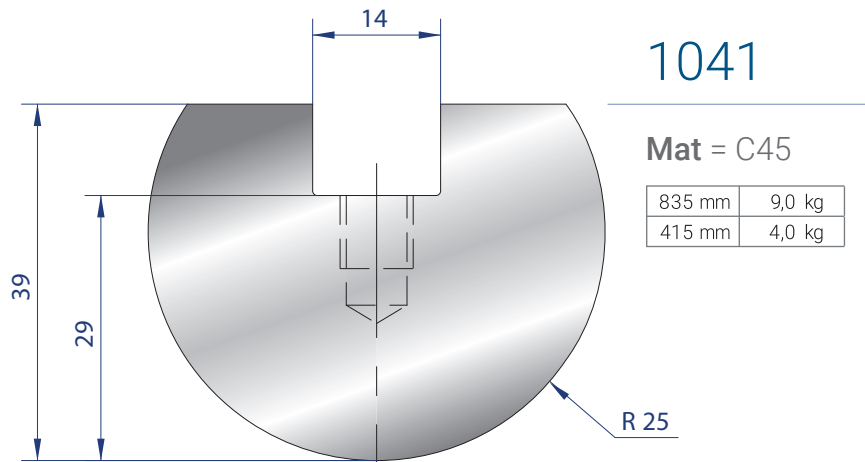
DISPONIBILE ANCHE NELLA VERSIONE NITRURATA
AVAILABLE ALSO IN THE VERSION NITRIDED





DISPONIBILE ANCHE NELLA VERSIONE NITRURATA
AVAILABLE ALSO IN THE VERSION NITRIDED

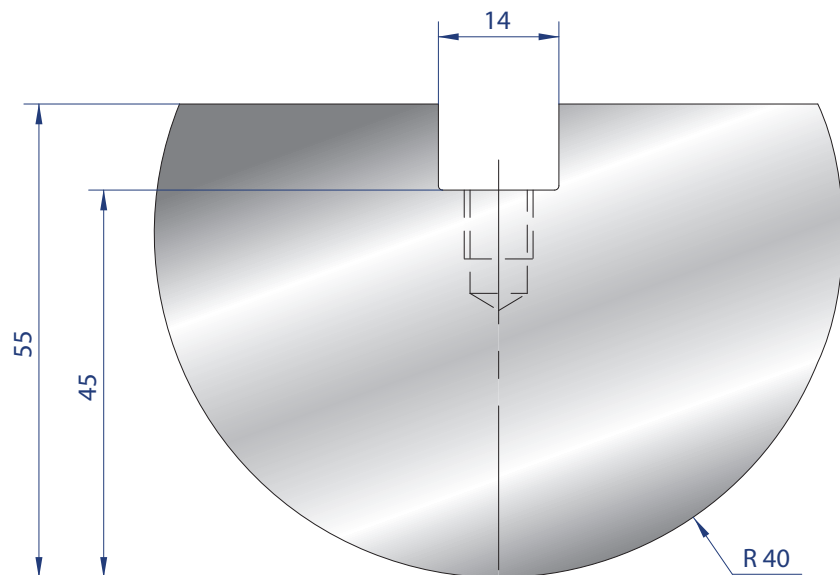




1116

Mat = C45

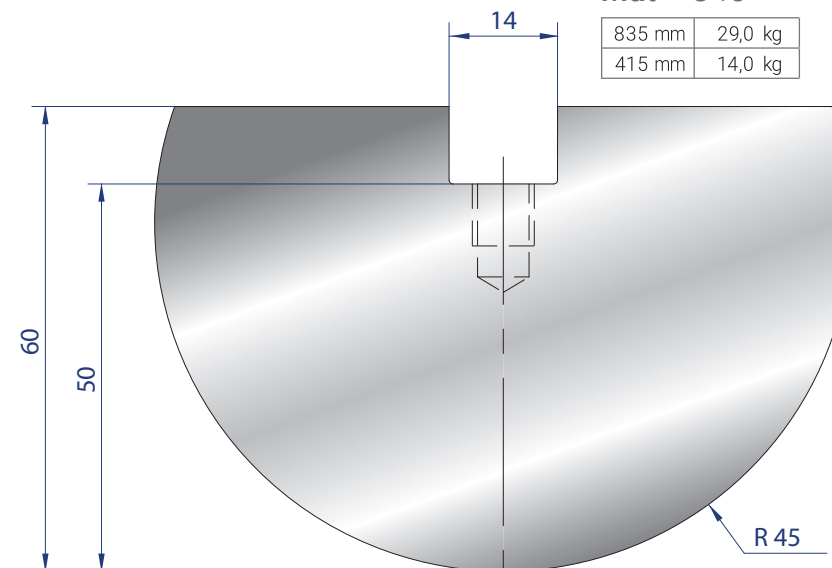
835 mm	24,0 kg
415 mm	12,0 kg



1117

Mat = C45

835 mm	29,0 kg
415 mm	14,0 kg



1118

Mat = C45

835 mm	34,0 kg
415 mm	17,0 kg

