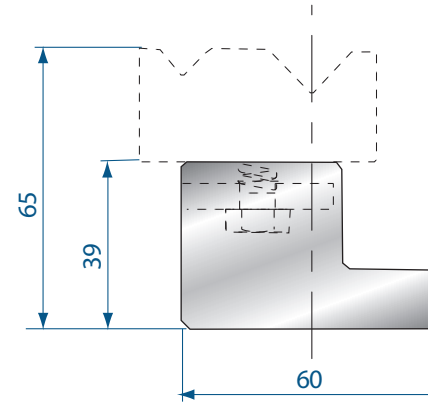


2018

Mat = C45

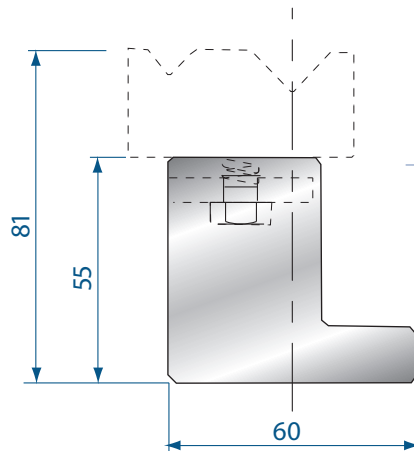
835 mm	9,0 kg
415 mm	4,0 kg



2039

Mat = C45

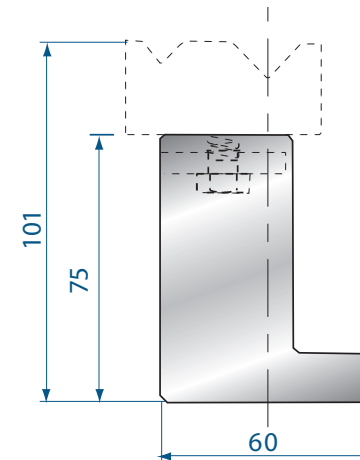
835 mm	12,0 kg
415 mm	6,0 kg



2019

Mat = C45

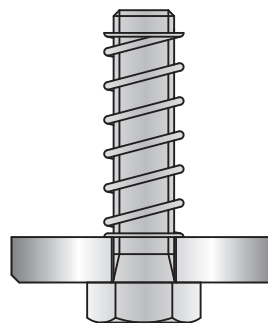
835 mm	15,0 kg
415 mm	7,0 kg



2035

Mat = C45

835 mm	19,0 kg
415 mm	9,0 kg

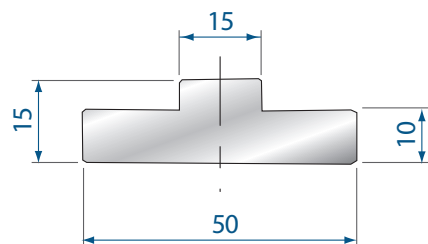


4277

MOLLA + RONDELLA + VITE  
SPRING + WASHER + SCREW



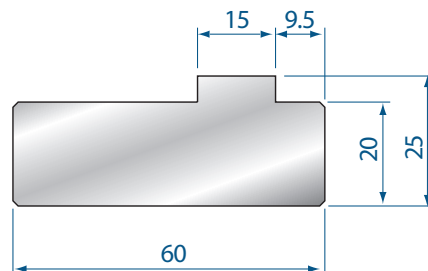
**SUPPORTI PER MATRICI AUTOCENTRANTI**  
DIE HOLDERS FOR SELF-CENTERING DIES



2058

Mat = C45

835 mm	4,0 kg
415 mm	2,0 kg

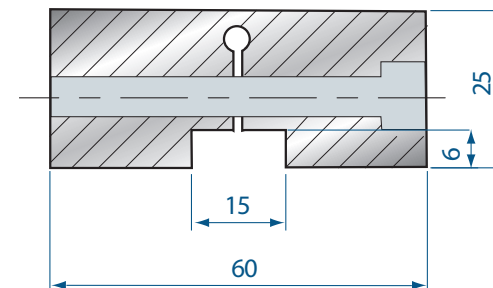


2059

Mat = C45

835 mm	8,0 kg
415 mm	4,0 kg

**FERMO PER MATRICI AUTOCENTRANTI**  
FIXED BAR FOR SELF-CENTERING DIES



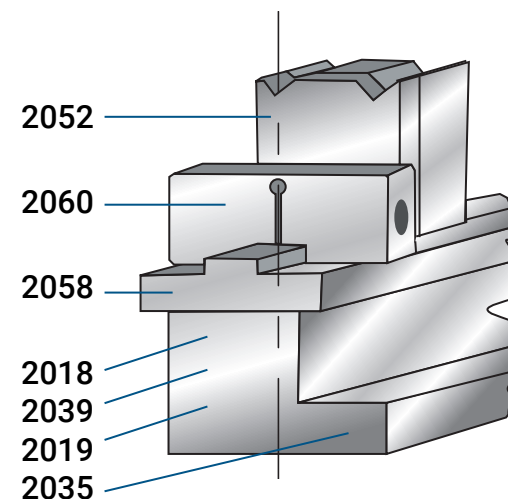
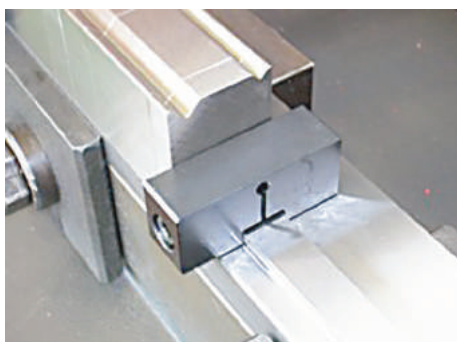
2060

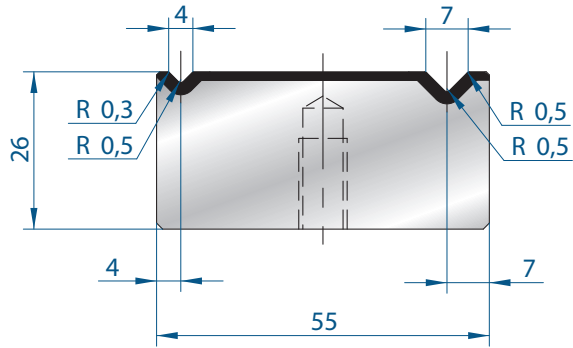
Mat = C45

15 mm	0,2 kg
-------	--------

**DEVE ESSERE INSTALLATO SUI RIALZI**  
TO BE INSTALLED ON DIE HOLDER  
**2018 - 2019 - 2035 - 2039**

**ESEMPIO DI MONTAGGIO**  
ASSEMBLY EXAMPLE

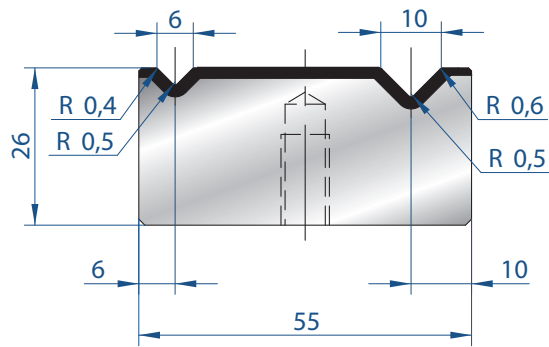




2010

Mat = C45  
Max T/m = 100  
 $\alpha = 90^\circ$

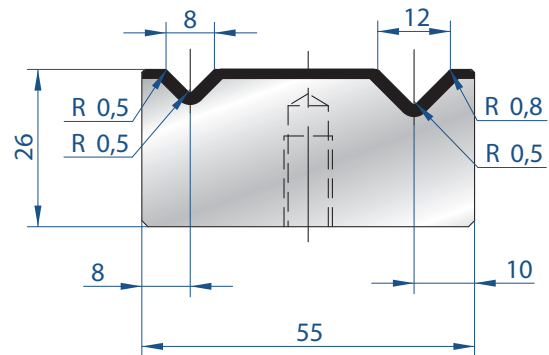
835 mm	9,0 kg
415 mm	4,0 kg



2011

Mat = C45  
Max T/m = 100  
 $\alpha = 90^\circ$

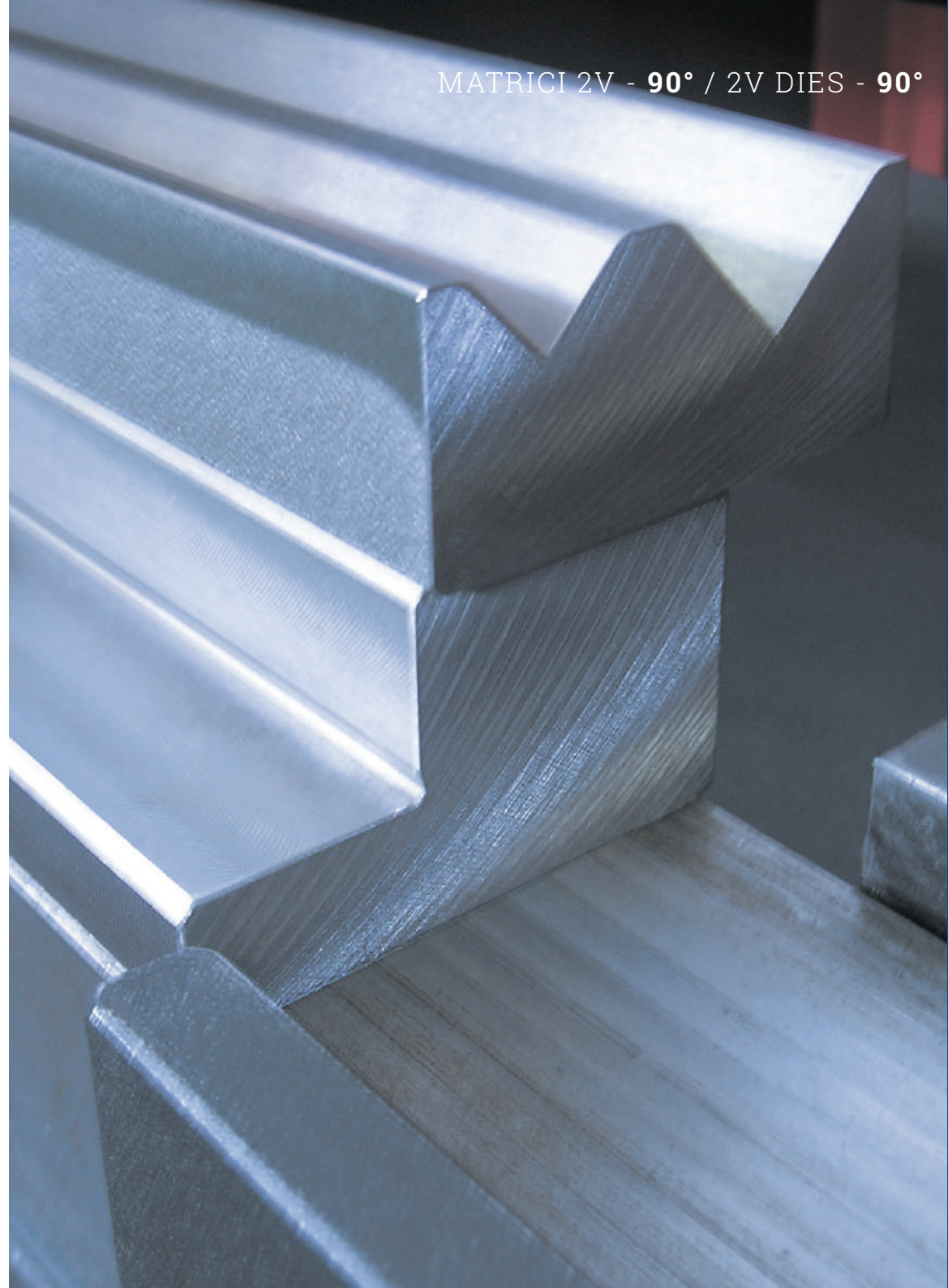
835 mm	9,0 kg
415 mm	4,0 kg

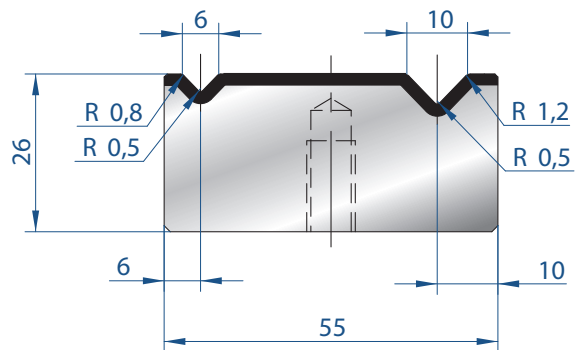


2012

Mat = C45  
Max T/m = 100  
 $\alpha = 90^\circ$

835 mm	9,0 kg
415 mm	4,0 kg



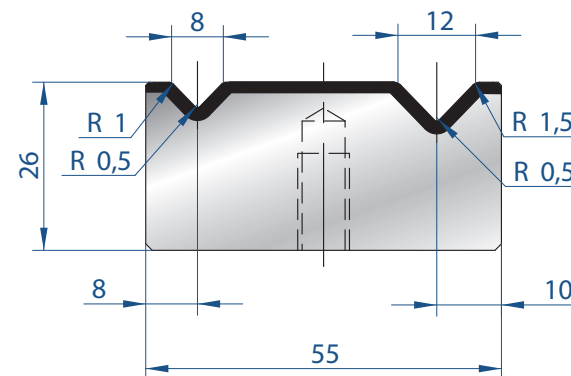


2046

Mat = C45  
Max T/m = 100

$\alpha = 88^\circ$

835 mm	9,0 kg
415 mm	4,0 kg

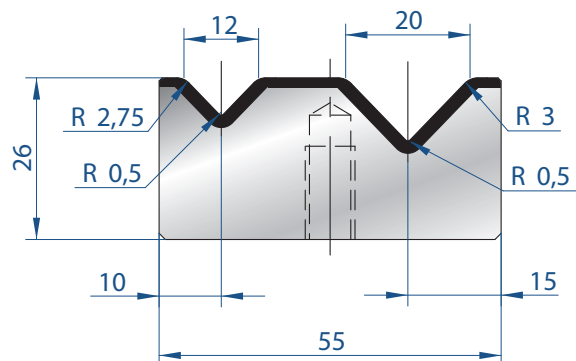


2041

Mat = C45  
Max T/m = 100

$\alpha = 88^\circ$

835 mm	9,0 kg
415 mm	4,0 kg

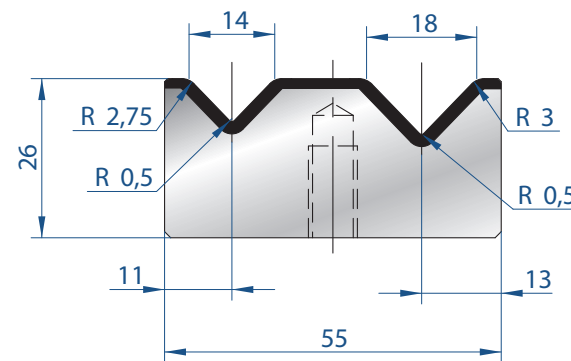


2013

Mat = C45  
Max T/m = 100

$\alpha = 88^\circ$

835 mm	9,0 kg
415 mm	4,0 kg

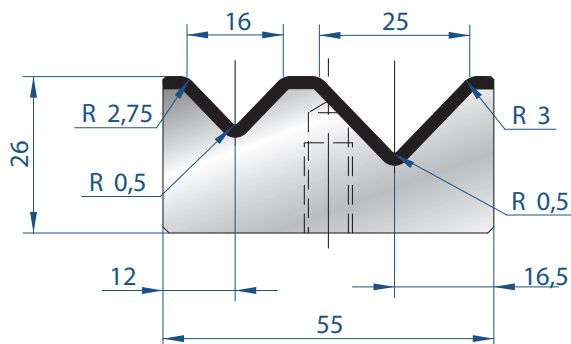


2032

Mat = C45  
Max T/m = 100

$\alpha = 88^\circ$

835 mm	9,0 kg
415 mm	4,0 kg

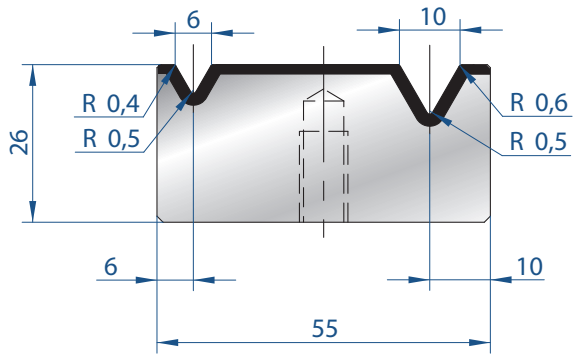


2014

Mat = C45  
Max T/m = 100

$\alpha = 88^\circ$

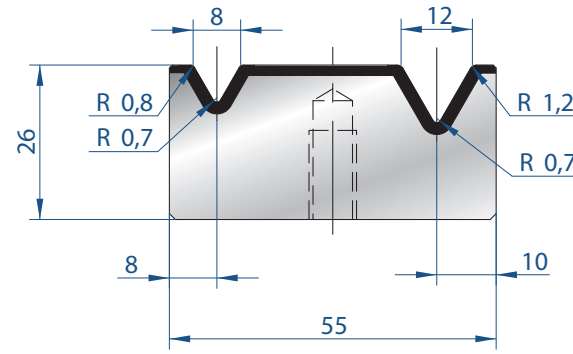
835 mm	8,0 kg
415 mm	4,0 kg



2015

Mat = C45  
Max T/m = 60  
 $\alpha = 60^\circ$

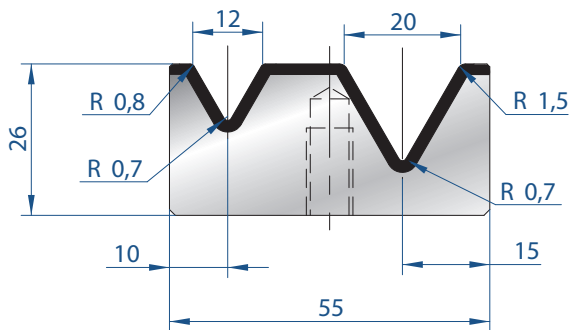
835 mm	8,0 kg
415 mm	4,0 kg



2016

Mat = C45  
Max T/m = 60  
 $\alpha = 60^\circ$

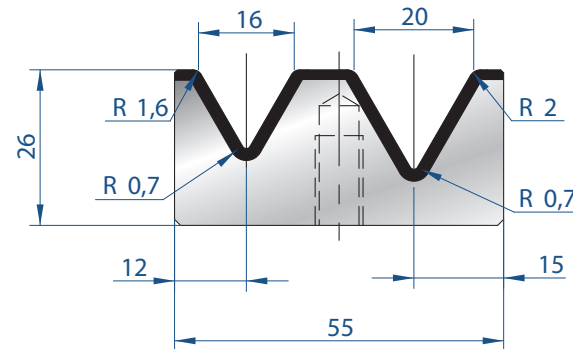
835 mm	8,0 kg
415 mm	4,0 kg



2033

Mat = C45  
Max T/m = 60  
 $\alpha = 60^\circ$

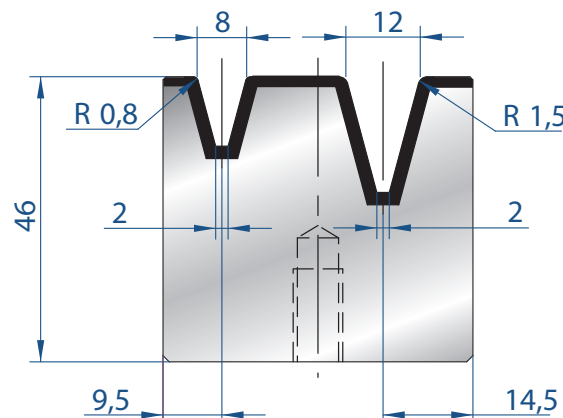
835 mm	8,0 kg
415 mm	4,0 kg



2017

Mat = C45  
Max T/m = 60  
 $\alpha = 60^\circ$

835 mm	8,0 kg
415 mm	4,0 kg

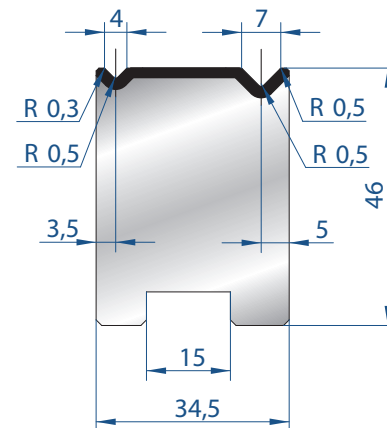
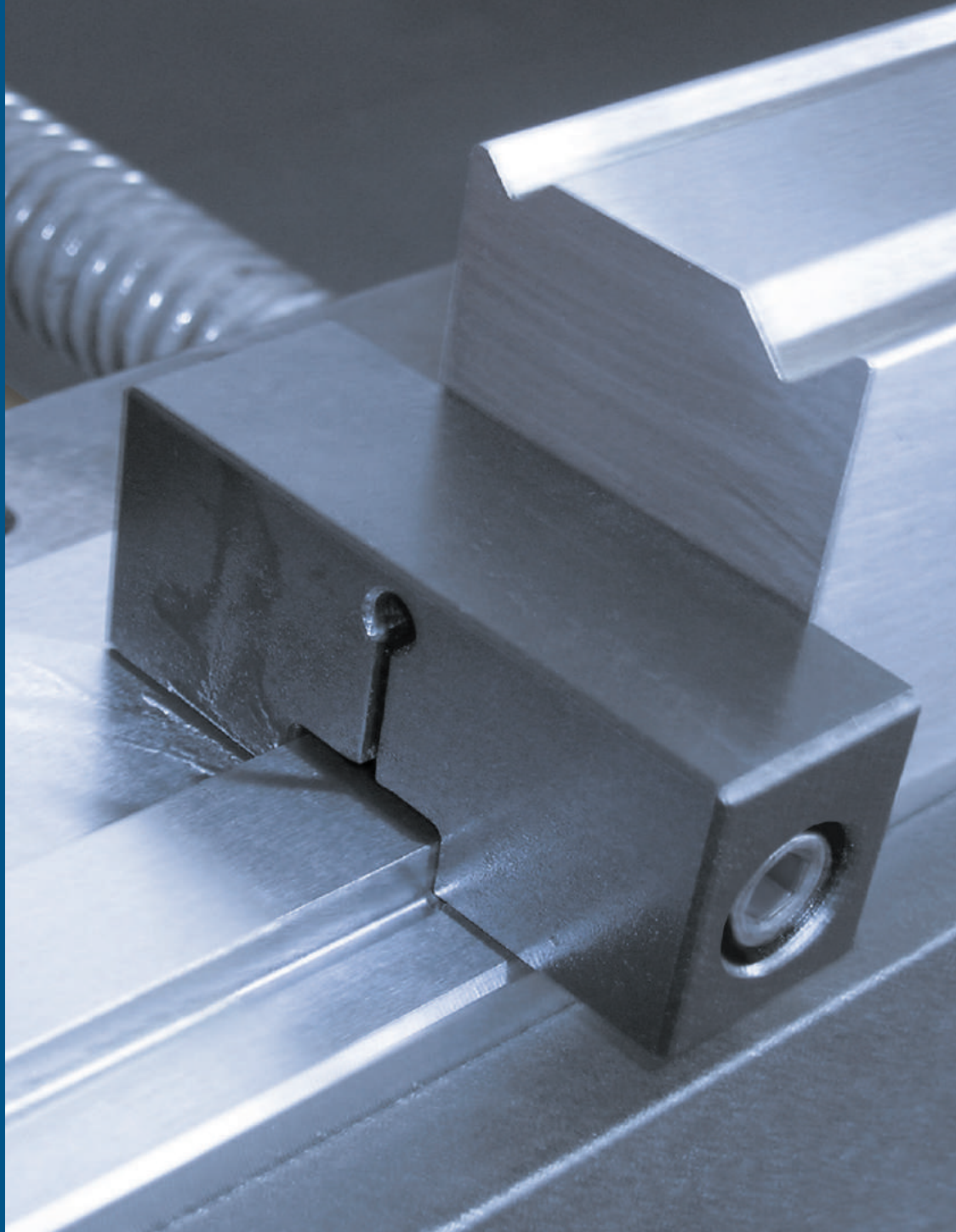


2047

Mat = C45  
Max T/m = 40  
 $\alpha = 30^\circ$

835 mm	8,0 kg
415 mm	4,0 kg

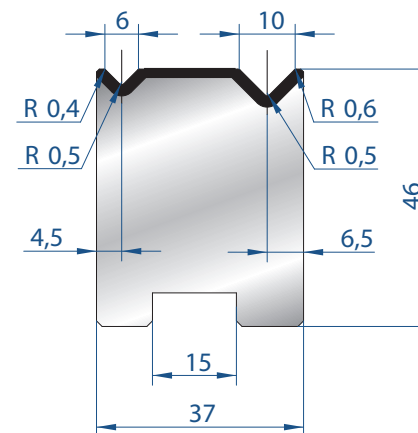




2048

Mat = C45  
Max T/m = 80  
 $\alpha = 90^\circ$

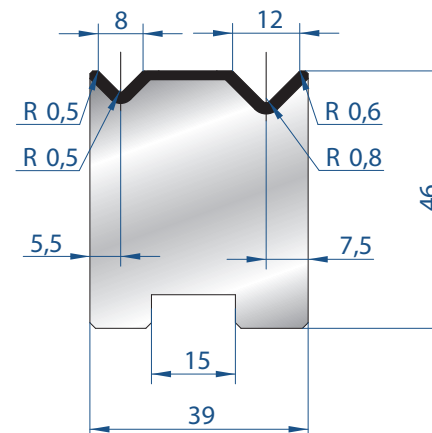
835 mm	9,0 kg
415 mm	4,0 kg
805 mm	9,0 kg
FRAZ. / SECT.	



2049

Mat = C45  
Max T/m = 80  
 $\alpha = 90^\circ$

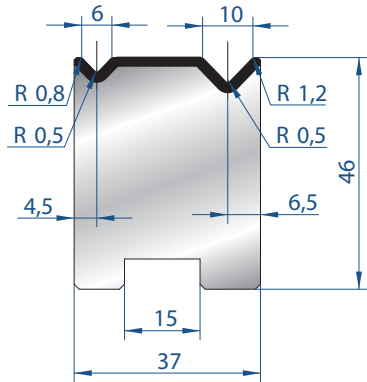
835 mm	10,0 kg
415 mm	5,0 kg
805 mm	10,0 kg
FRAZ. / SECT.	



2051

Mat = C45  
Max T/m = 80  
 $\alpha = 90^\circ$

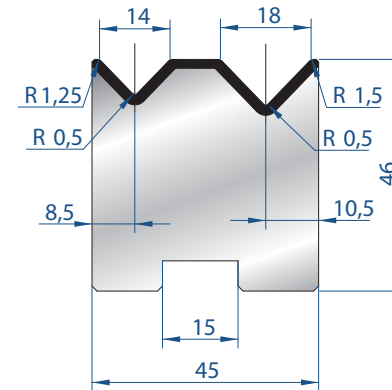
835 mm	10,0 kg
415 mm	5,0 kg
805 mm	10,0 kg
FRAZ. / SECT.	



2050

Mat = C45  
Max T/m = 80  
 $\alpha = 88^\circ$

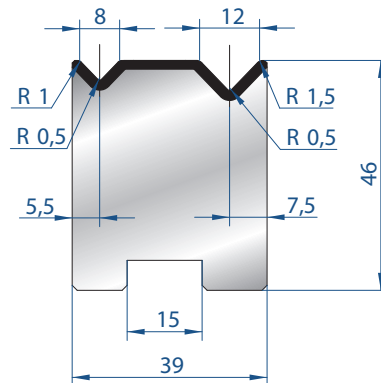
835 mm	10,0 kg
415 mm	5,0 kg
805 mm FRAZ. / SECT.	10,0 kg



2053

Mat = C45  
Max T/m = 80  
 $\alpha = 88^\circ$

835 mm	12,0 kg
415 mm	6,0 kg
805 mm FRAZ. / SECT.	12,0 kg

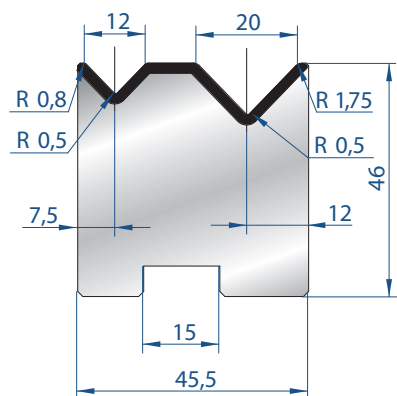


2052

Mat = C45  
Max T/m = 80  
 $\alpha = 88^\circ$

835 mm	10,0 kg
415 mm	5,0 kg
805 mm FRAZ. / SECT.	10,0 kg

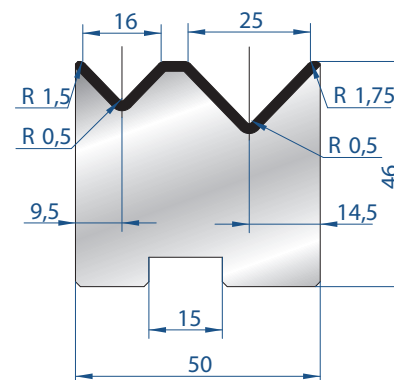




2054

Mat = C45  
Max T/m = 80  
 $\alpha = 88^\circ$

835 mm	12,0 kg
415 mm	6,0 kg
805 mm FRAZ. / SECT.	12,0 kg



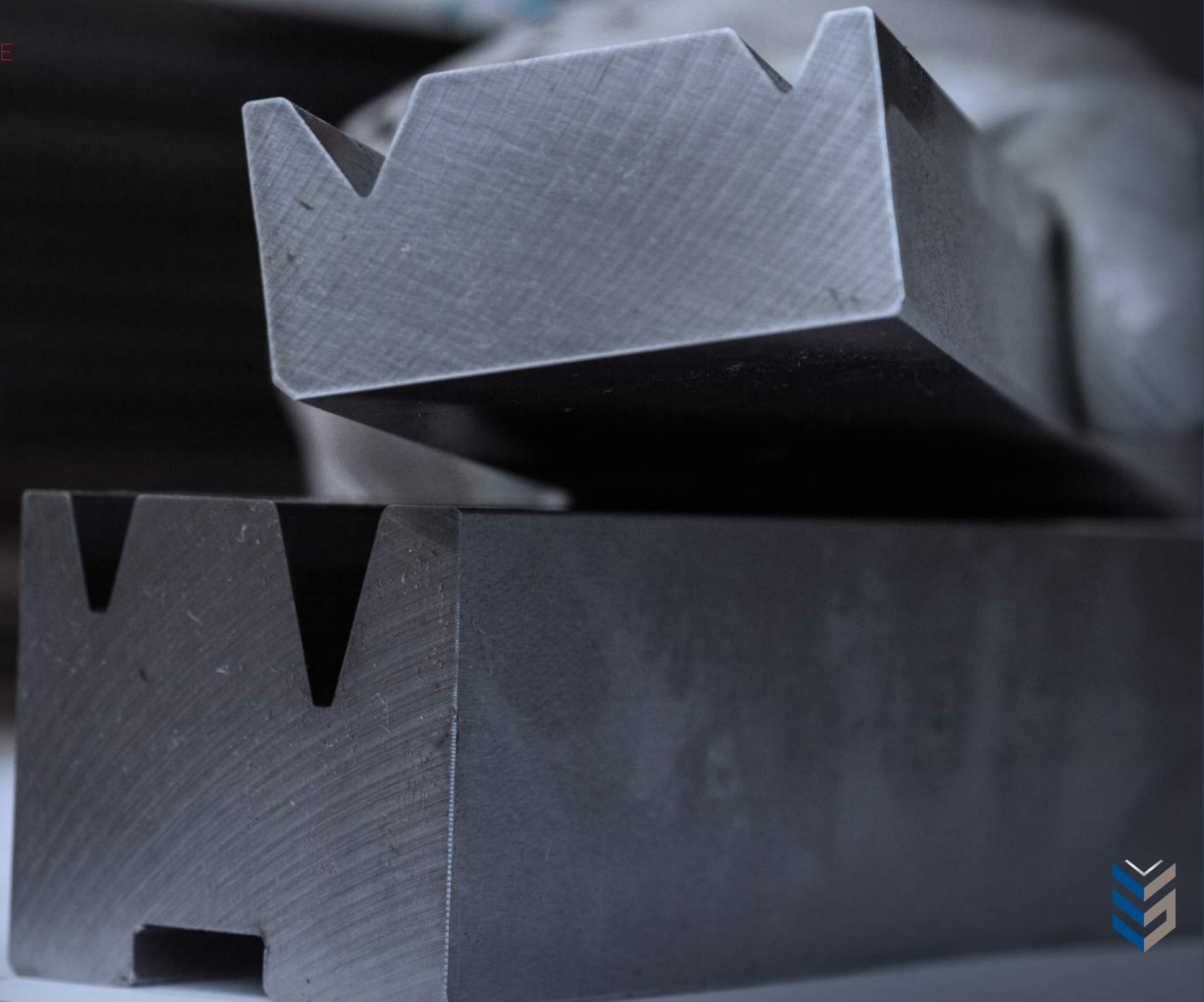
2055

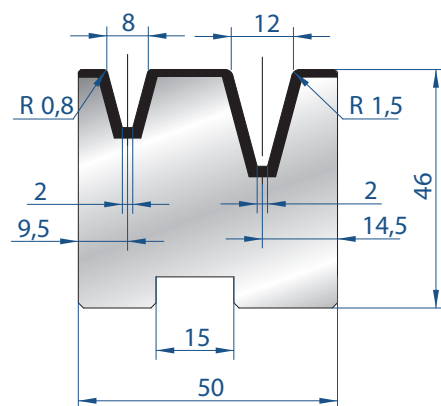
Mat = C45  
Max T/m = 80  
 $\alpha = 88^\circ$

835 mm	13,0 kg
415 mm	6,0 kg
805 mm FRAZ. / SECT.	13,0 kg



AMADA  
PROMECAM STYLE

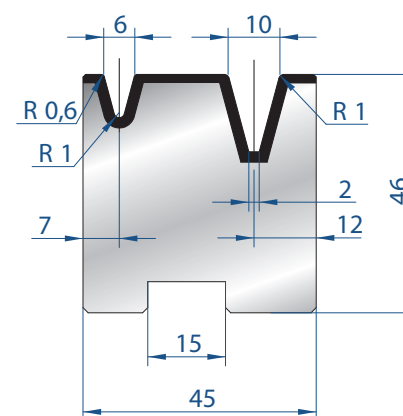




2056

Mat = C45  
Max T/m = 40  
 $\alpha = 30^\circ$

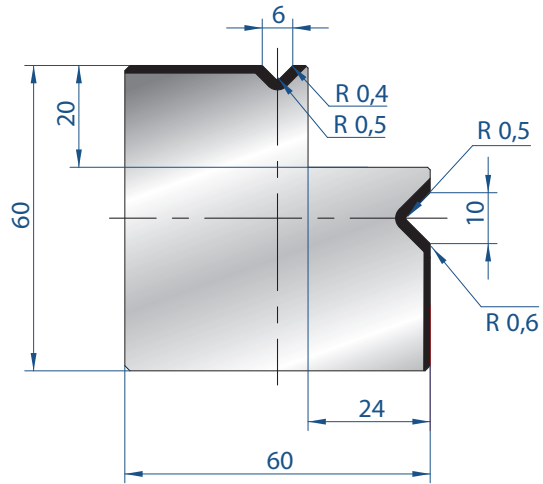
835 mm	13,0 kg
415 mm	6,0 kg
805 mm FRAZ. / SECT.	13,0 kg



2057

Mat = C45  
Max T/m = 40  
 $\alpha = 30^\circ$

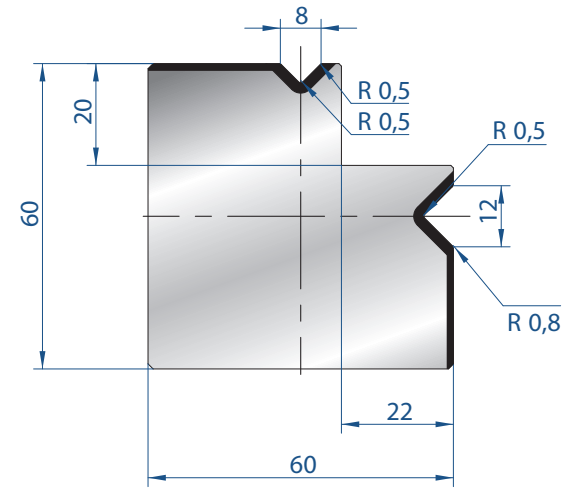
835 mm	13,0 kg
415 mm	6,0 kg
805 mm FRAZ. / SECT.	13,0 kg



2028

Mat = C45  
Max T/m = 80  
 $\alpha = 90^\circ$

835 mm	20,0 kg
415 mm	10,0 kg
805 mm FRAZ. / SECT.	20,0 kg

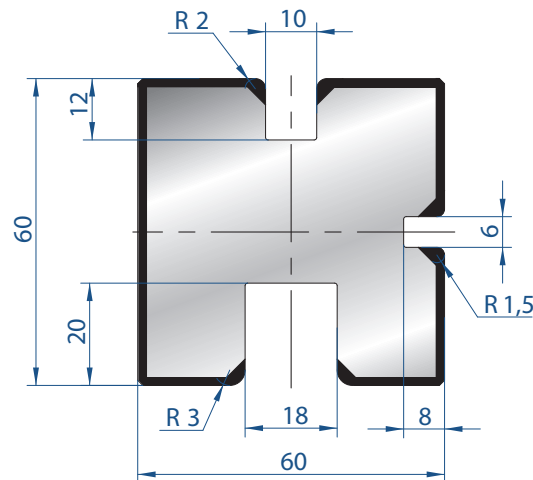


2029

Mat = C45  
Max T/m = 80  
 $\alpha = 90^\circ$

835 mm	20,0 kg
415 mm	10,0 kg
805 mm FRAZ. / SECT.	20,0 kg

MATRICI 3U / 3U DIES

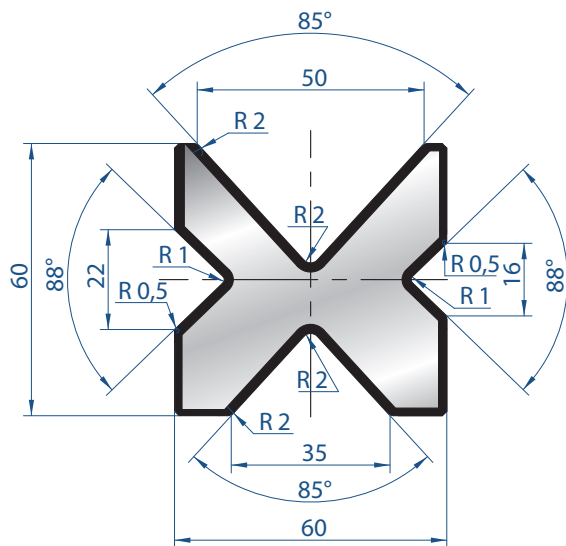


2031

Mat = C45  
Max T/m = 100  
 $\alpha = 90^\circ$

835 mm	20,0 kg
415 mm	10,0 kg
805 mm FRAZ. / SECT.	20,0 kg

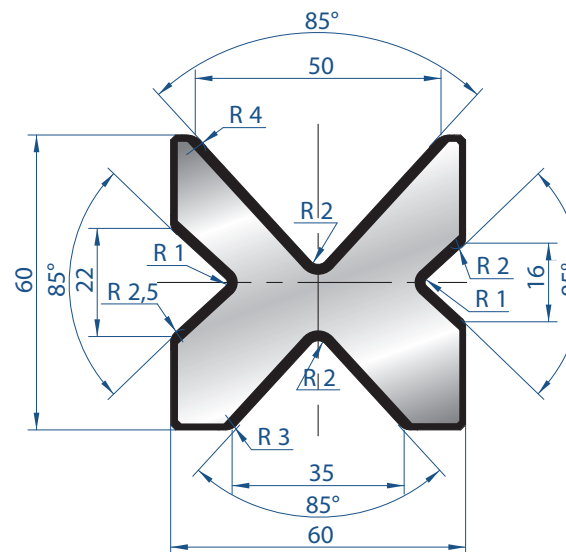




### 2030

Mat = C45  
Max T/m = 80  
 $\alpha = 85^\circ - 88^\circ$

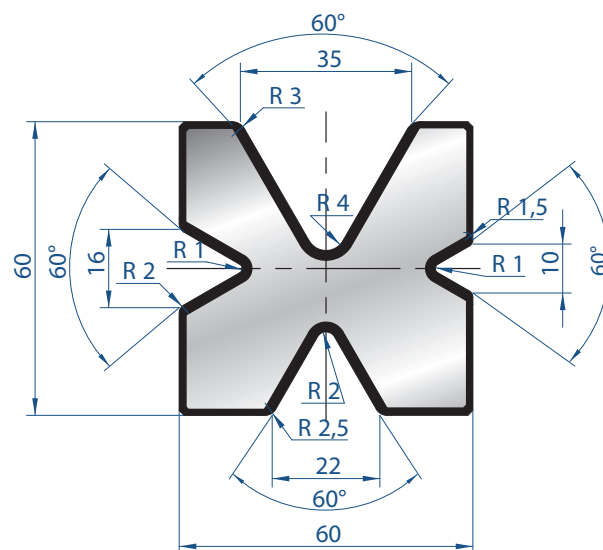
835 mm	16,0 kg
415 mm	8,0 kg
805 mm FRAZ. / SECT.	16,0 kg



### 2067

Mat = C45  
Max T/m = 80  
 $\alpha = 85^\circ$

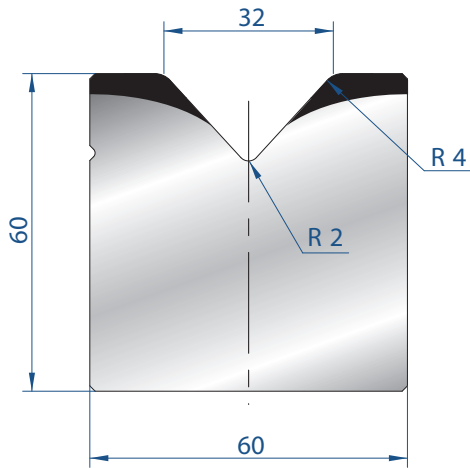
835 mm	16,0 kg
415 mm	8,0 kg
805 mm FRAZ. / SECT.	16,0 kg



### 2034

Mat = C45  
Max T/m = 60  
 $\alpha = 60^\circ$

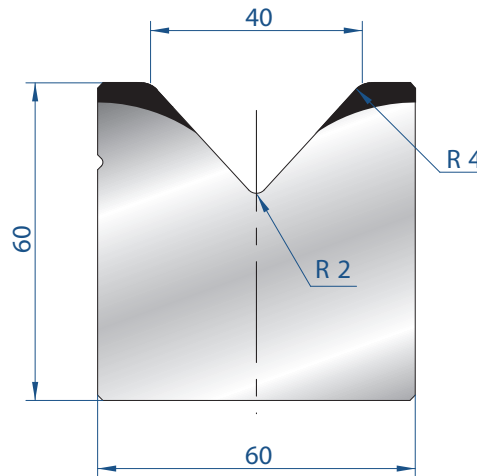
835 mm	18,0 kg
415 mm	9,0 kg
805 mm FRAZ. / SECT.	18,0 kg



2020

Mat = C45  
Max T/m = 100  
 $\alpha = 85^\circ$

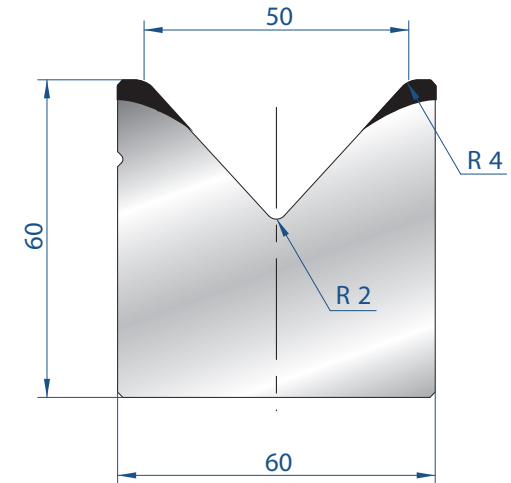
835 mm	22,0 kg
415 mm	11,0 kg
805 mm FRAZ. / SECT.	22,0 kg



2021

Mat = C45  
Max T/m = 100  
 $\alpha = 85^\circ$

835 mm	21,0 kg
415 mm	10,0 kg
805 mm FRAZ. / SECT.	21,0 kg

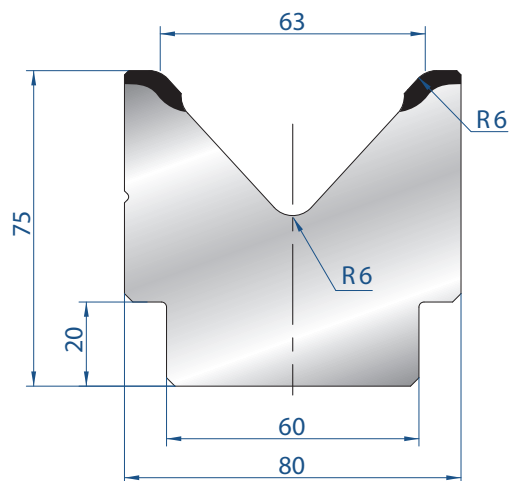


2022

Mat = C45  
Max T/m = 80  
 $\alpha = 85^\circ$

835 mm	19,0 kg
415 mm	9,0 kg
805 mm FRAZ. / SECT.	19,0 kg

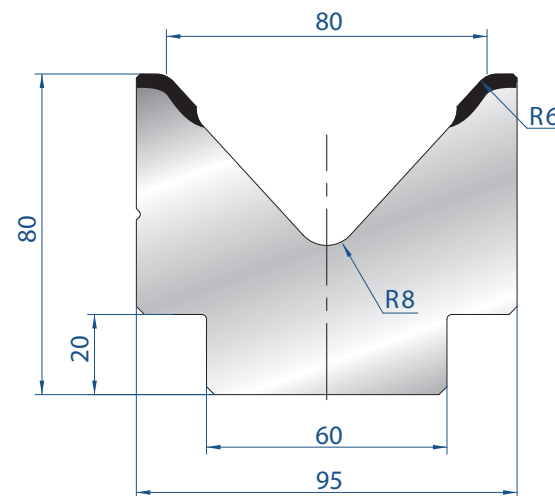




2023

Mat = C45  
Max T/m = 100  
 $\alpha = 85^\circ$

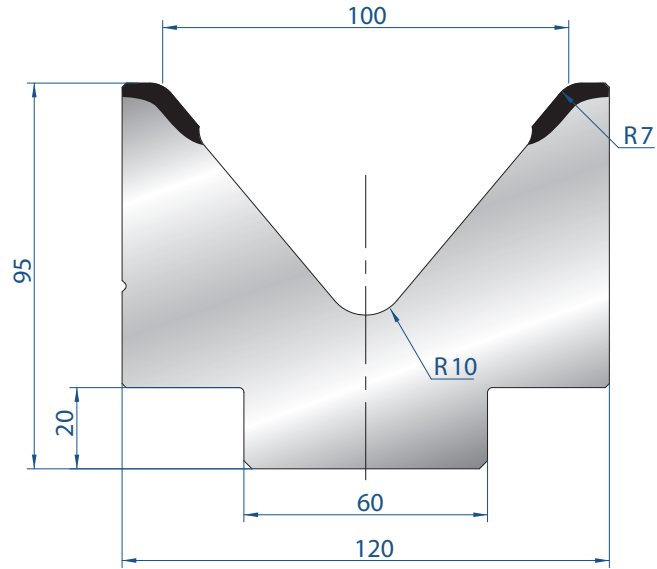
835 mm	28,5 kg
415 mm	15,0 kg
805 mm FRAZ. / SECT.	28,5 kg



2024

Mat = C45  
Max T/m = 100  
 $\alpha = 85^\circ$

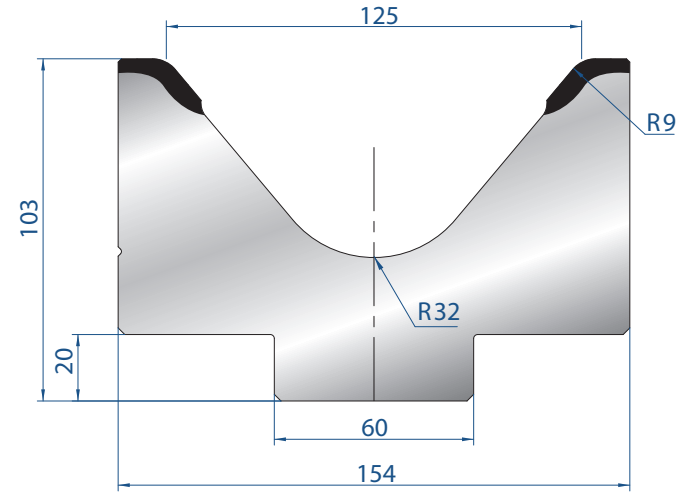
835 mm	38,0 kg
415 mm	19,0 kg
805 mm FRAZ. / SECT.	38,0 kg



2025

Mat = C45  
Max T/m = 120  
 $\alpha = 80^\circ$

835 mm	50,0 kg
415 mm	25,0 kg
805 mm FRAZ. / SECT.	50,0 kg

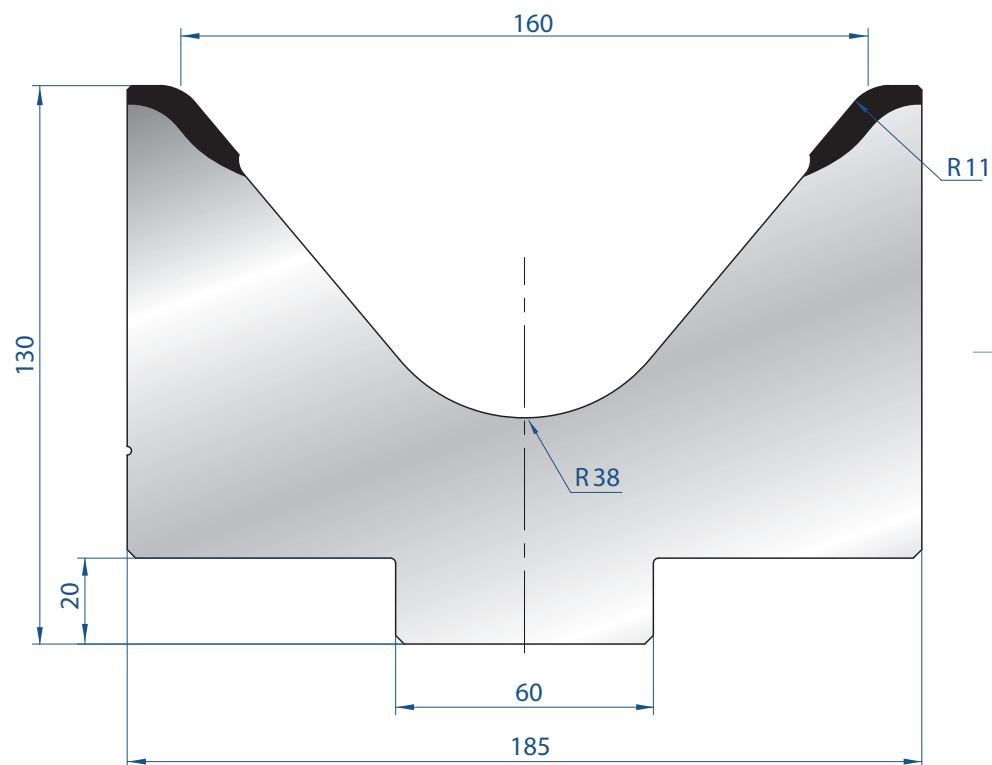


2026

Mat = C45  
Max T/m = 120  
 $\alpha = 80^\circ$

835 mm	70,0 kg
415 mm	35,0 kg
805 mm FRAZ. / SECT.	70,0 kg

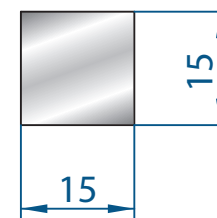




2027

Mat = C45  
Max T/m = 120  
 $\alpha = 80^\circ$

835 mm	91,3 kg
415 mm	51,0 kg
805 mm FRAZ. / SECT.	91,3 kg

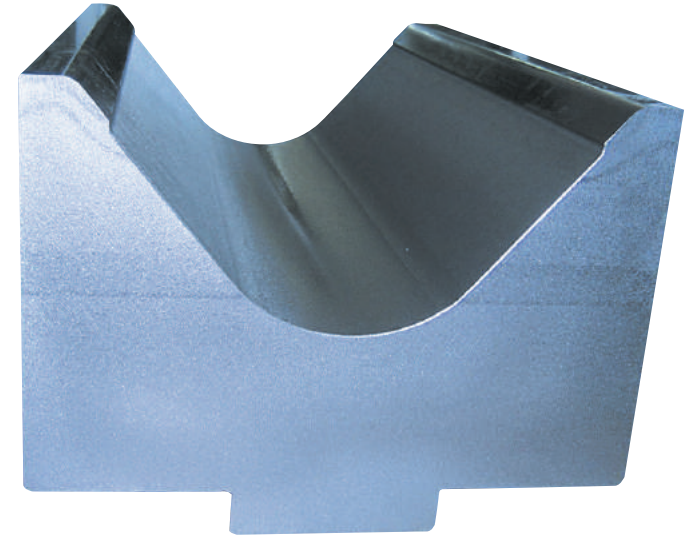
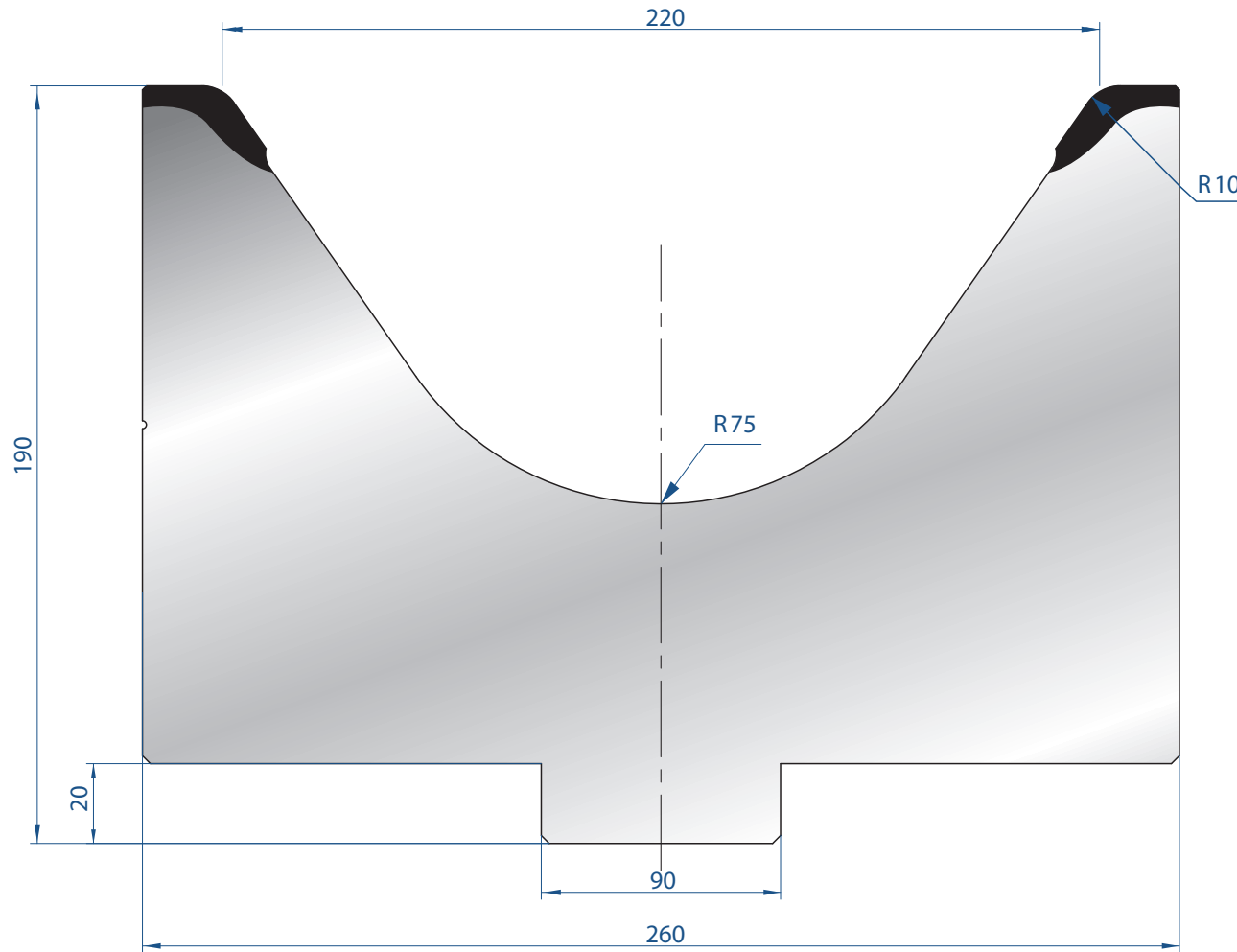


8106

**TRAFILATI 15X15**  
Square bar 15X15

835 mm	2,9 kg
--------	--------





7290

**Mat** = C45  
bonificato / tempered

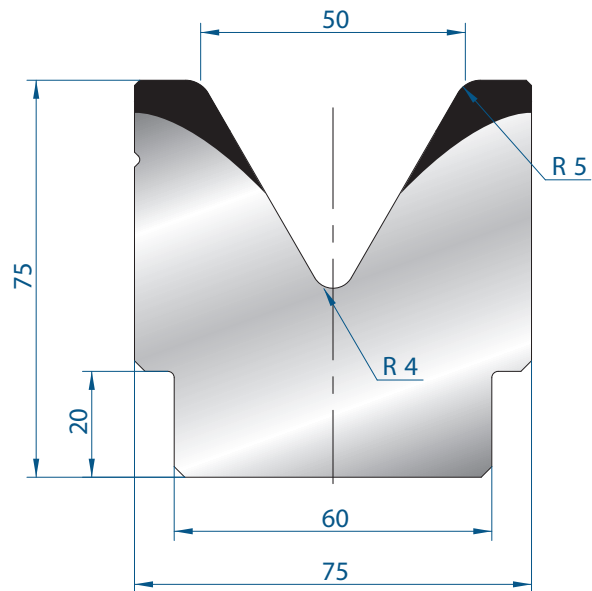
**Max T/m** = 200

**$\alpha$**  = 70°

505 mm | 119,0 kg

**SOLO LUNGHEZZA 505 MM**  
AVAILABLE ONLY LENGHT 505 MM

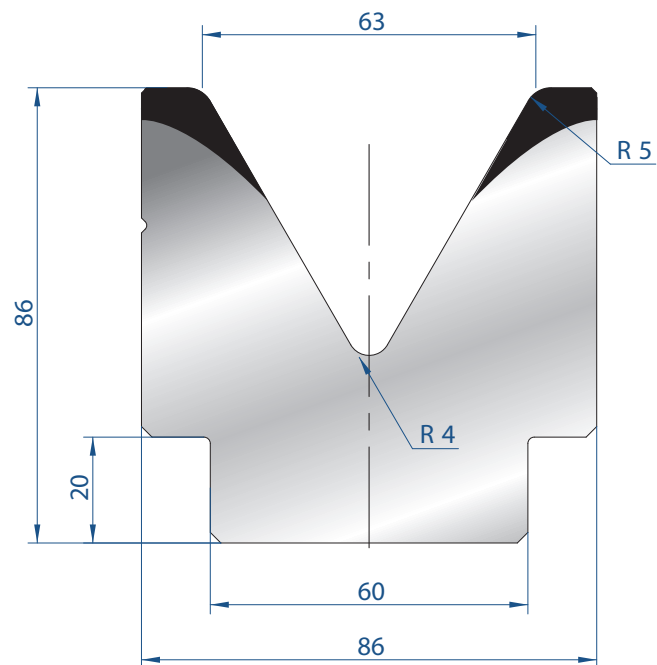




## 2082

Mat = C45  
Max T/m = 100  
 $\alpha = 60^\circ$

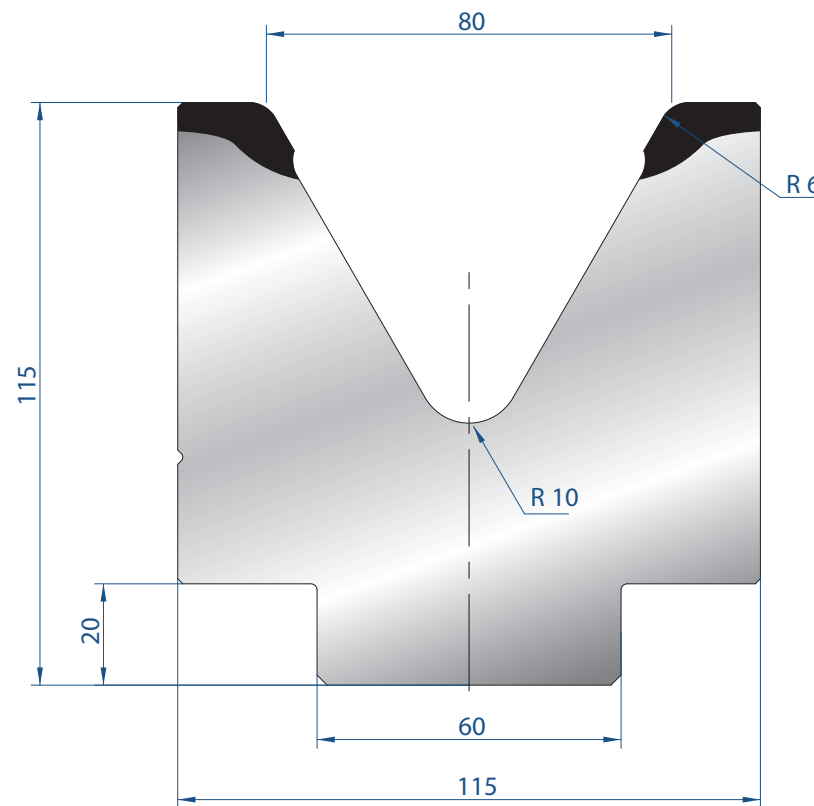
835 mm	28,0 kg
415 mm	14,0 kg
805 mm FRAZ. / SECT.	28,0 kg



## 2083

Mat = C45  
Max T/m = 100  
 $\alpha = 60^\circ$

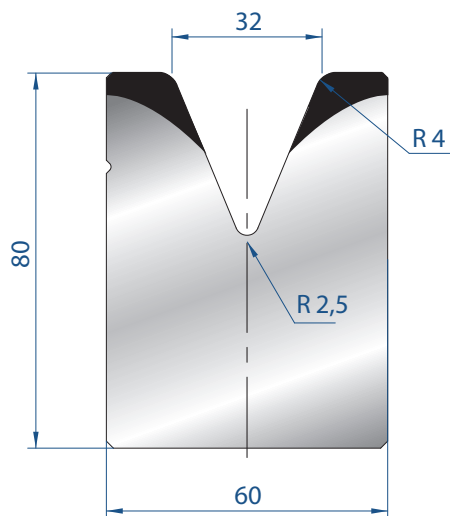
835 mm	34,0 kg
415 mm	17,0 kg
805 mm FRAZ. / SECT.	34,0 kg



## 2089

Mat = C45  
Max T/m = 100  
 $\alpha = 60^\circ$

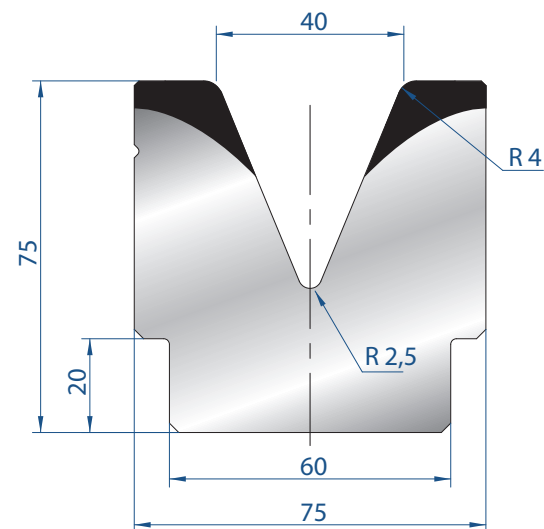
835 mm	60,0 kg
415 mm	30,0 kg
805 mm FRAZ. / SECT.	60,0 kg



2088

Mat = C45  
Max T/m = 100  
 $\alpha = 45^\circ$

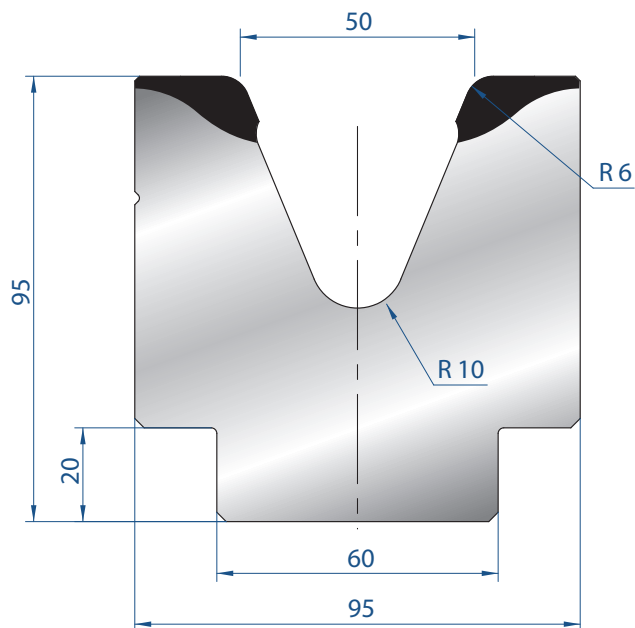
835 mm	28,0 kg
415 mm	14,0 kg
805 mm FRAZ. / SECT.	28,0 kg



2081

Mat = C45  
Max T/m = 100  
 $\alpha = 45^\circ$

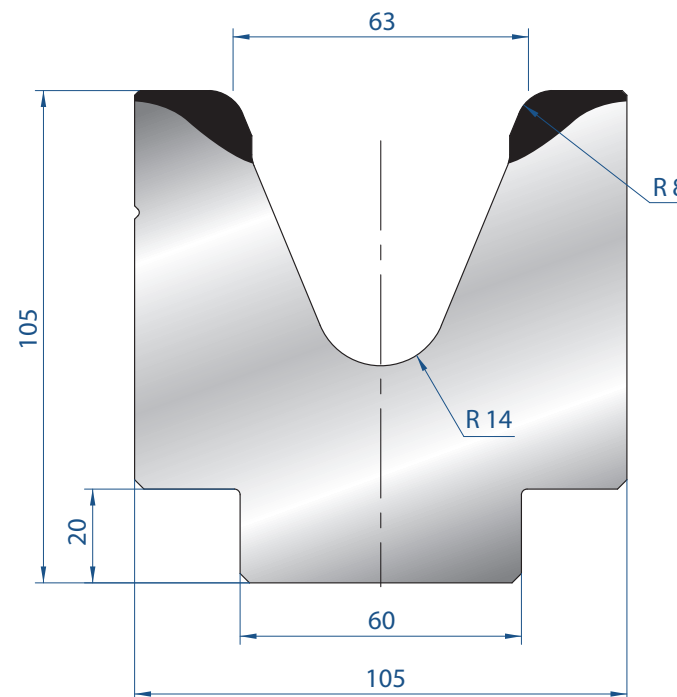
835 mm	33,0 kg
415 mm	16,0 kg
805 mm FRAZ. / SECT.	33,0 kg



2118

Mat = C45  
Max T/m = 100  
 $\alpha = 45^\circ$

835 mm	36,0 kg
415 mm	18,0 kg
805 mm FRAZ. / SECT.	36,0 kg



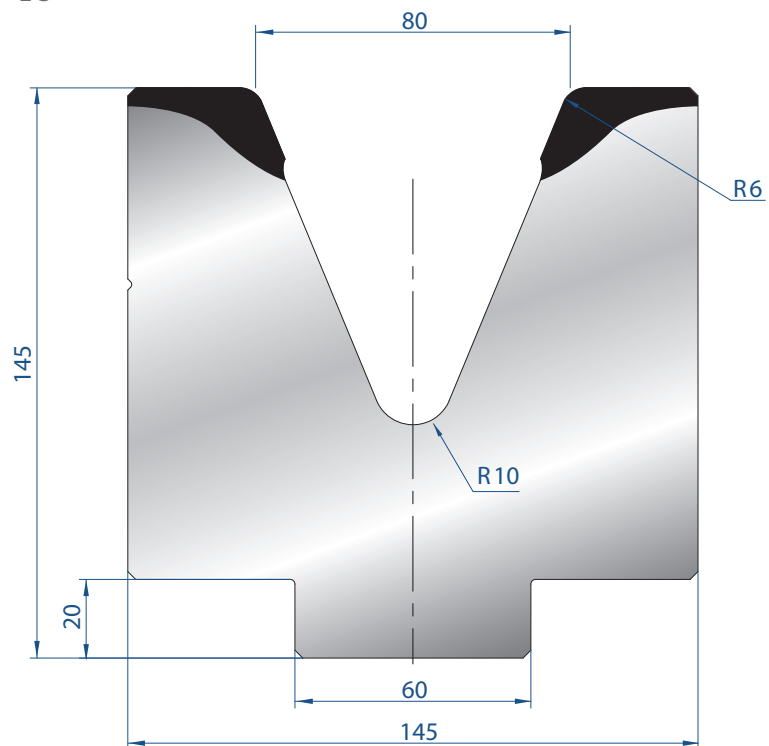
2117

Mat = C45  
Max T/m = 100  
 $\alpha = 45^\circ$

835 mm	34,0 kg
415 mm	17,0 kg
805 mm FRAZ. / SECT.	34,0 kg



MATRICI 1V - 45° / 1V DIES - 45°

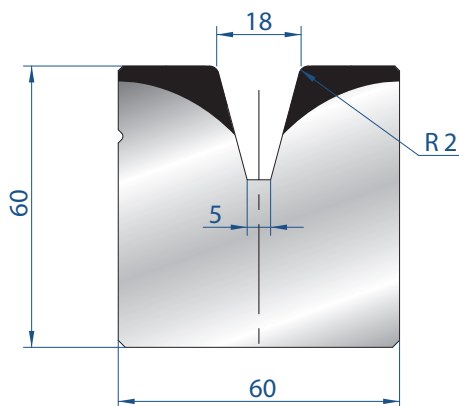


2084

Mat = C45  
Max T/m = 100  
 $\alpha = 45^\circ$

835 mm	102,0 kg
415 mm	51,0 kg
805 mm FRAZ. / SECT.	102,0 kg

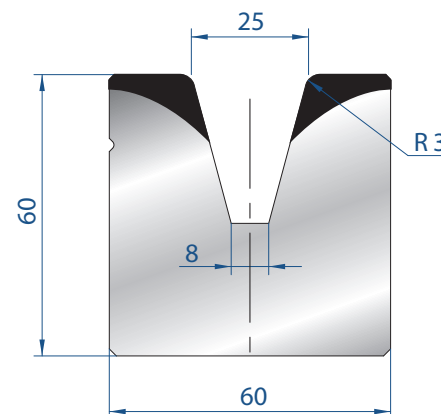
MATRICI 1V - 30° / 1V DIES - 30°



2086

Mat = C45  
Max T/m = 100  
 $\alpha = 30^\circ$

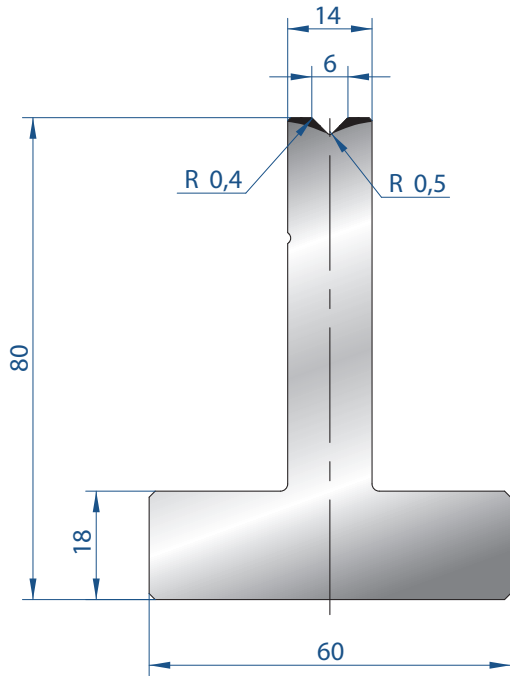
835 mm	22,0 kg
415 mm	11,0 kg
805 mm FRAZ. / SECT.	22,0 kg



2087

Mat = C45  
Max T/m = 100  
 $\alpha = 30^\circ$

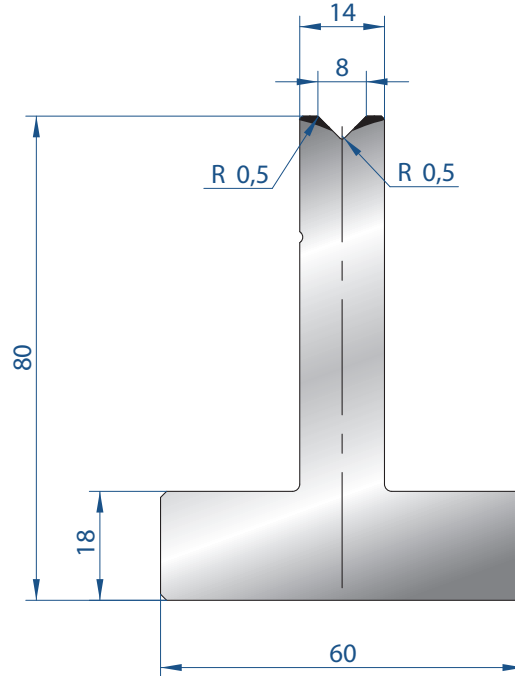
835 mm	22,0 kg
415 mm	11,0 kg
805 mm FRAZ. / SECT.	22,0 kg



3010

Mat = C45  
Max T/m = 100  
 $\alpha = 90^\circ$

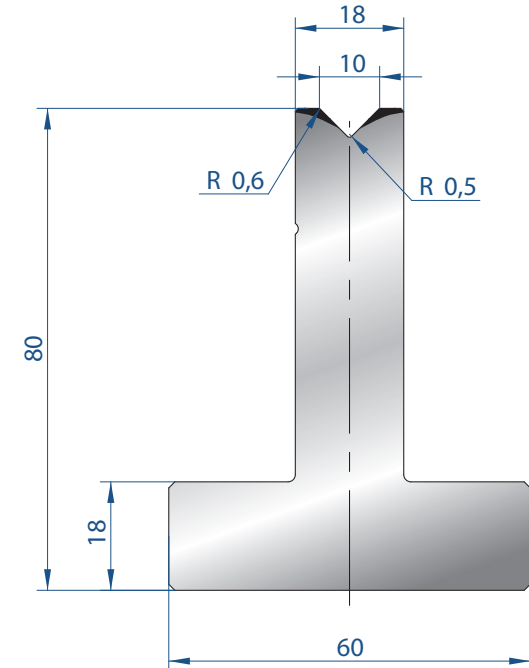
835 mm	13,0 kg
415 mm	6,0 kg
805 mm FRAZ. / SECT.	13,0 kg



3011

Mat = C45  
Max T/m = 100  
 $\alpha = 90^\circ$

835 mm	13,0 kg
415 mm	6,0 kg
805 mm FRAZ. / SECT.	13,0 kg



3012

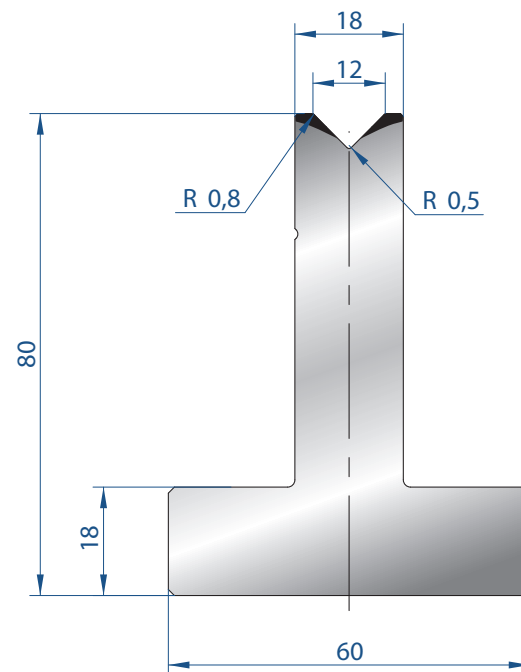
Mat = C45  
Max T/m = 100  
 $\alpha = 90^\circ$

835 mm	15,0 kg
415 mm	7,0 kg
805 mm FRAZ. / SECT.	15,0 kg



MATRICI T H80 - 90° / T DIES H80 - 90°

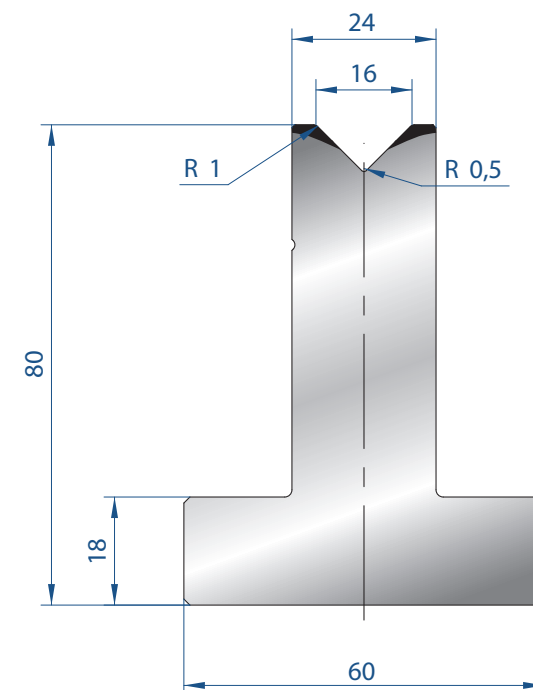
AMADA  
PROMECAM STYLE



3013

Mat = C45  
Max T/m = 100  
 $\alpha = 90^\circ$

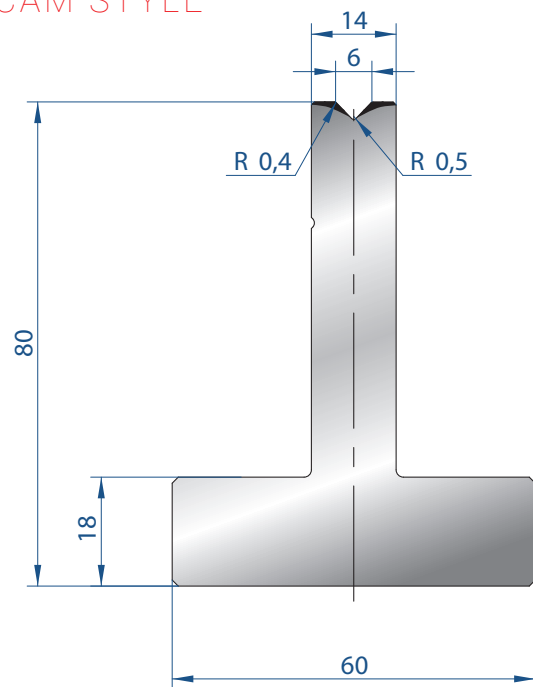
835 mm	15,0 kg
415 mm	7,0 kg
805 mm FRAZ. / SECT.	15,0 kg



3014

Mat = C45  
Max T/m = 100  
 $\alpha = 90^\circ$

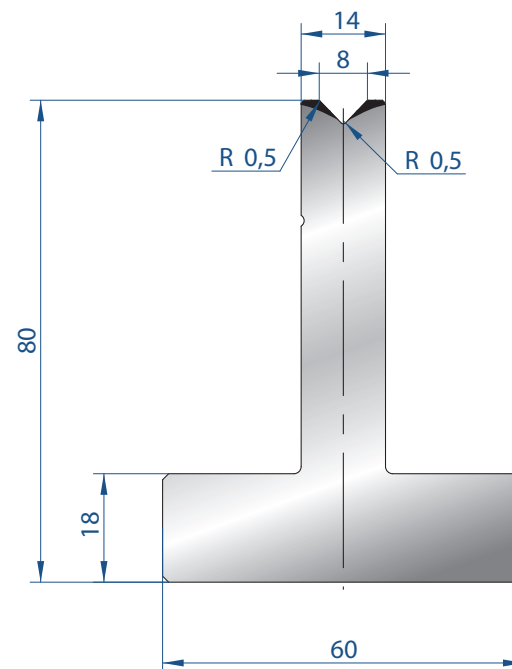
835 mm	18,0 kg
415 mm	9,0 kg
805 mm FRAZ. / SECT.	18,0 kg



3080

Mat = C45  
Max T/m = 100  
 $\alpha = 88^\circ$

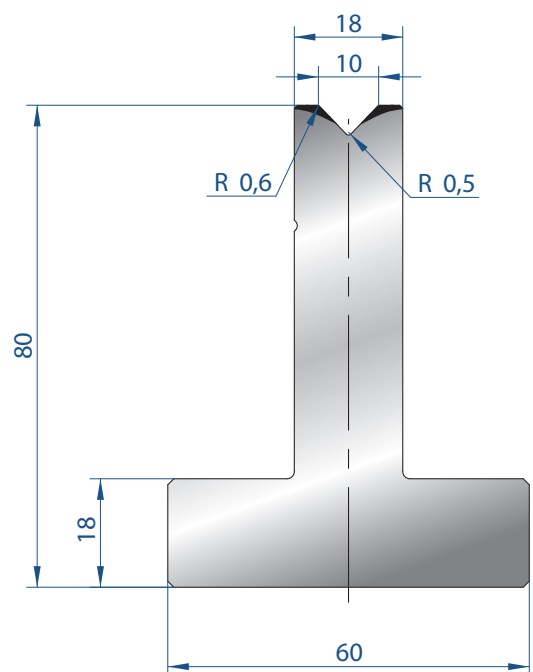
835 mm	13,0 kg
415 mm	6,0 kg
805 mm FRAZ. / SECT.	13,0 kg



3081

Mat = C45  
Max T/m = 100  
 $\alpha = 88^\circ$

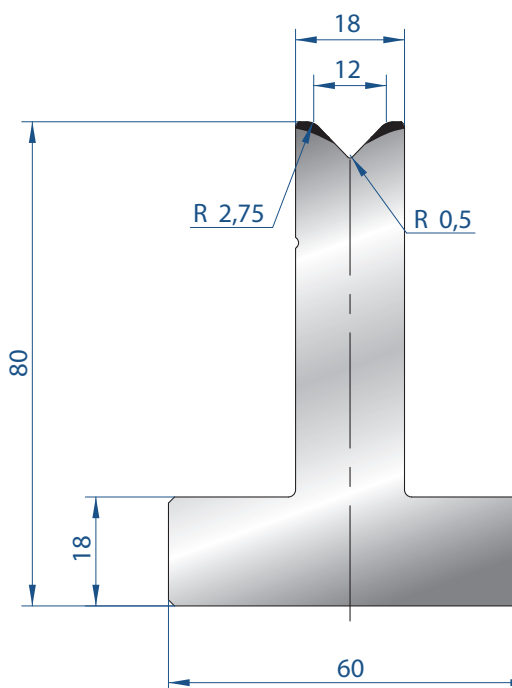
835 mm	13,0 kg
415 mm	6,0 kg
805 mm FRAZ. / SECT.	13,0 kg



3082

Mat = C45  
Max T/m = 100  
 $\alpha = 88^\circ$

835 mm	15,0 kg
415 mm	7,0 kg
805 mm FRAZ. / SECT.	15,0 kg

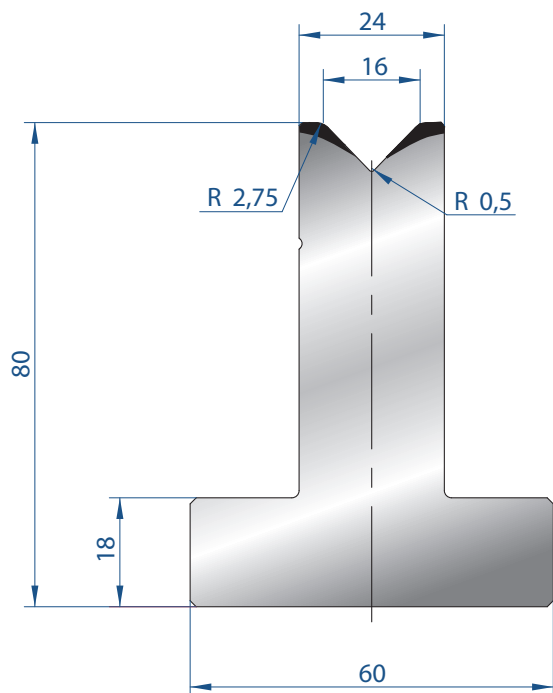


3015

Mat = C45  
Max T/m = 100  
 $\alpha = 88^\circ$

835 mm	15,0 kg
415 mm	7,0 kg
805 mm FRAZ. / SECT.	15,0 kg

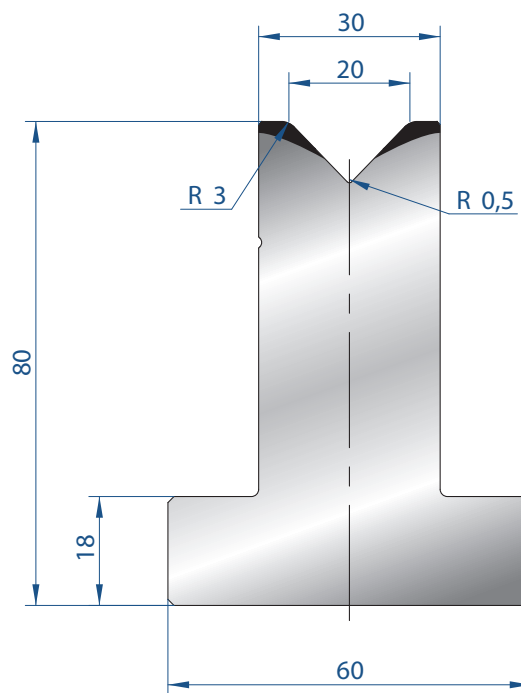




3016

Mat = C45  
Max T/m = 100  
 $\alpha = 88^\circ$

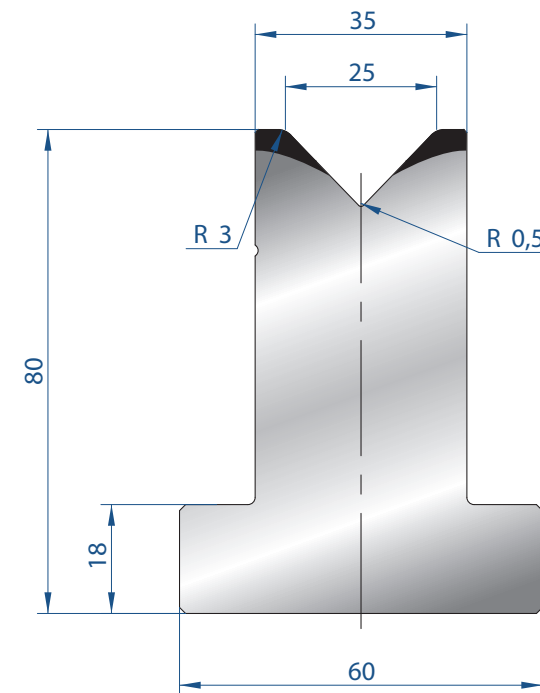
835 mm	18,0 kg
415 mm	9,0 kg
805 mm FRAZ. / SECT.	18,0 kg



3017

Mat = C45  
Max T/m = 100  
 $\alpha = 88^\circ$

835 mm	19,0 kg
415 mm	9,0 kg
805 mm FRAZ. / SECT.	19,0 kg

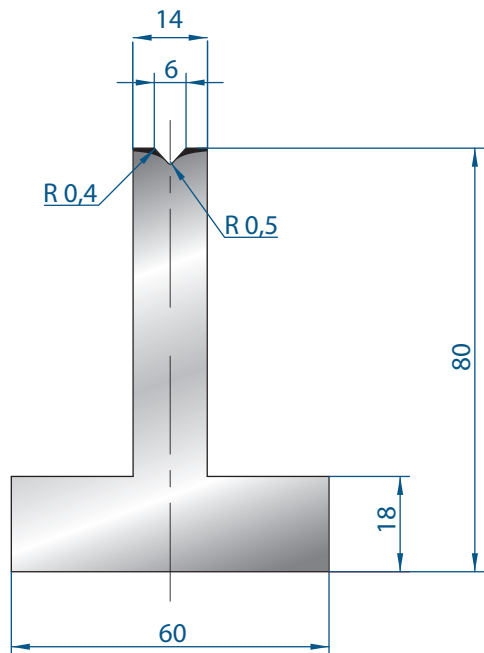


3018

Mat = C45  
Max T/m = 100  
 $\alpha = 88^\circ$

835 mm	20,0 kg
415 mm	10,0 kg
805 mm FRAZ. / SECT.	20,0 kg

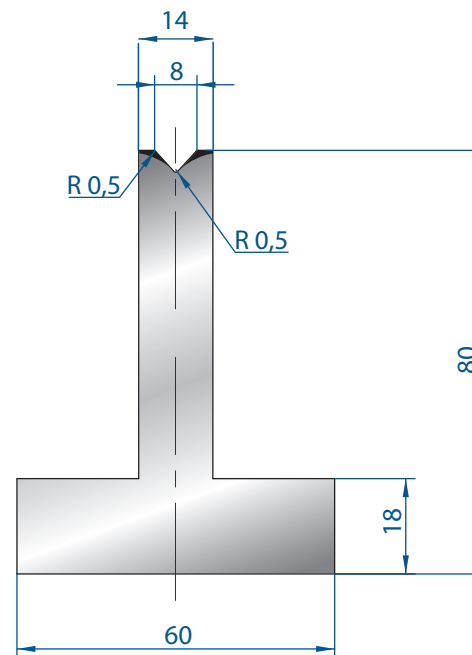




3086

Mat = C45  
Max T/m = 100  
 $\alpha = 85^\circ$

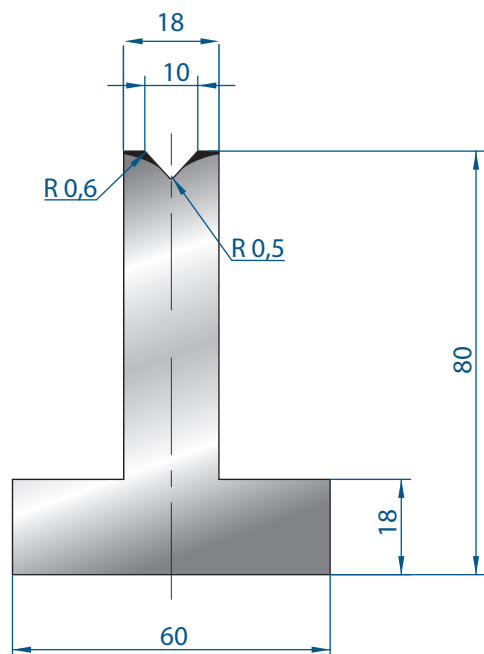
835 mm	13,0 kg
415 mm	6,0 kg
805 mm FRAZ. / SECT.	13,0 kg



3087

Mat = C45  
Max T/m = 100  
 $\alpha = 85^\circ$

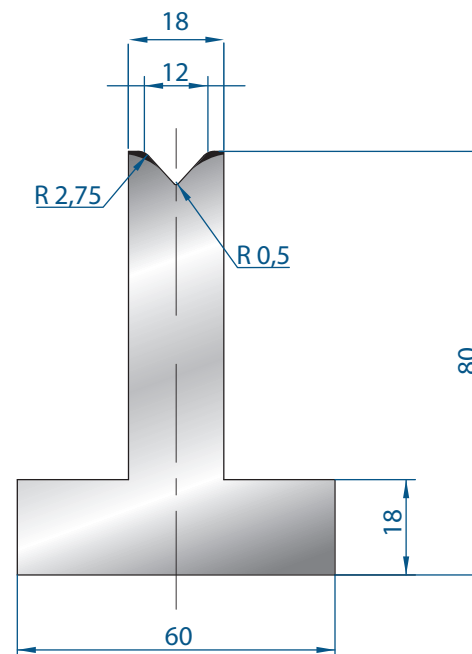
835 mm	13,0 kg
415 mm	6,0 kg
805 mm FRAZ. / SECT.	13,0 kg



3088

Mat = C45  
Max T/m = 100  
 $\alpha = 85^\circ$

835 mm	13,0 kg
415 mm	6,0 kg
805 mm FRAZ. / SECT.	13,0 kg

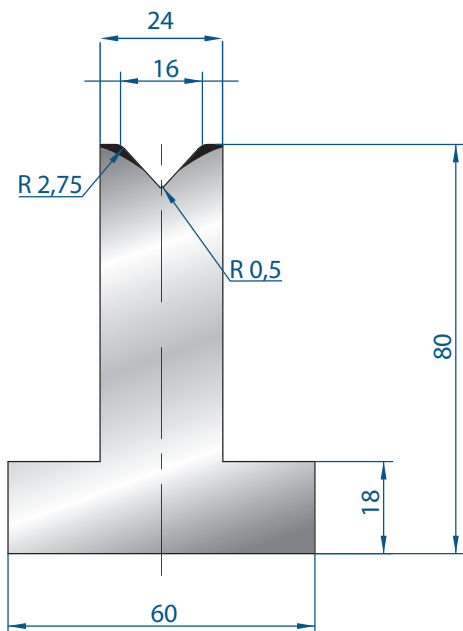


3089

Mat = C45  
Max T/m = 100  
 $\alpha = 85^\circ$

835 mm	13,0 kg
415 mm	6,0 kg
805 mm FRAZ. / SECT.	13,0 kg

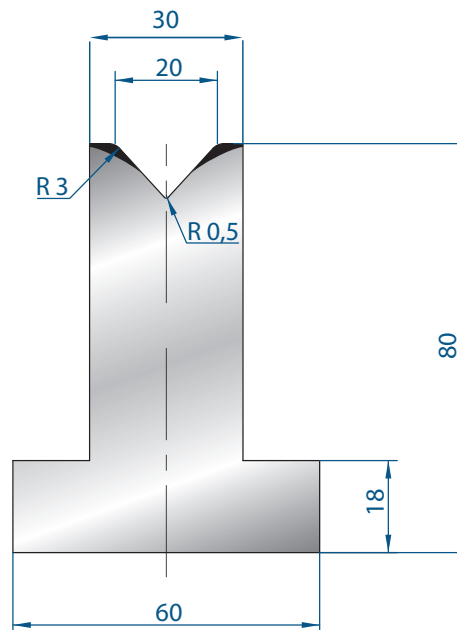




3090

Mat = C45  
Max T/m = 100  
 $\alpha = 85^\circ$

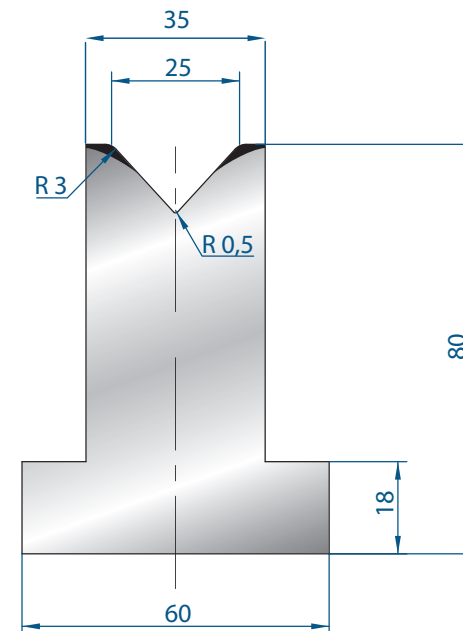
835 mm	13,0 kg
415 mm	6,0 kg
805 mm FRAZ. / SECT.	13,0 kg



3091

Mat = C45  
Max T/m = 100  
 $\alpha = 85^\circ$

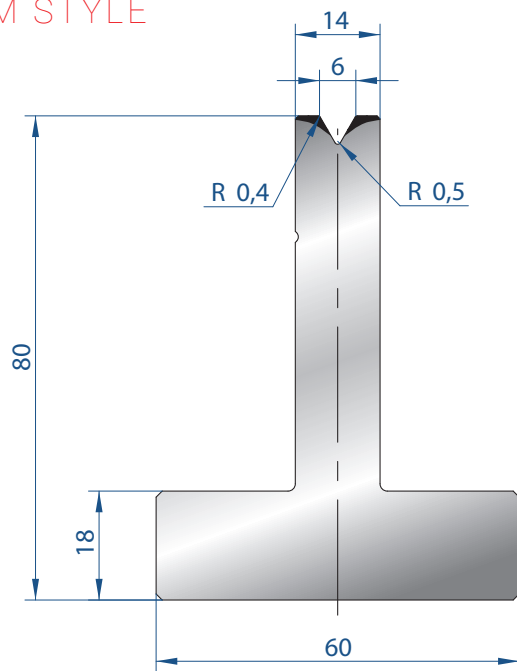
835 mm	13,0 kg
415 mm	6,0 kg
805 mm FRAZ. / SECT.	13,0 kg



3092

Mat = C45  
Max T/m = 100  
 $\alpha = 85^\circ$

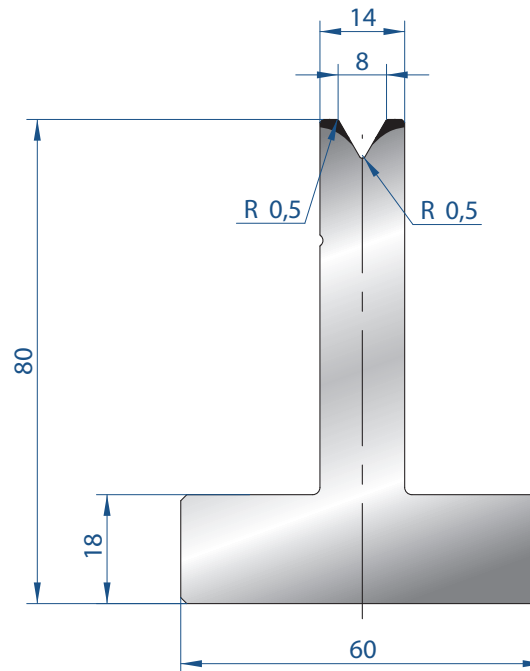
835 mm	13,0 kg
415 mm	6,0 kg
805 mm FRAZ. / SECT.	13,0 kg



3019

Mat = C45  
Max T/m = 60  
 $\alpha = 60^\circ$

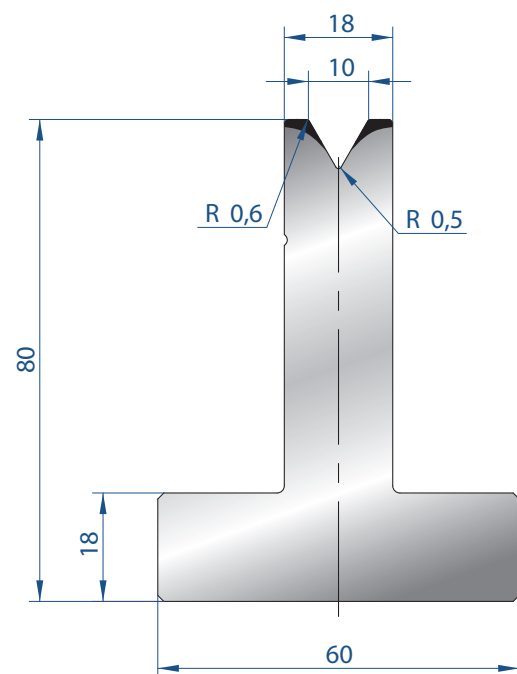
835 mm	13,0 kg
415 mm	6,0 kg
805 mm	13,0 kg
FRAZ. / SECT.	



3020

Mat = C45  
Max T/m = 60  
 $\alpha = 60^\circ$

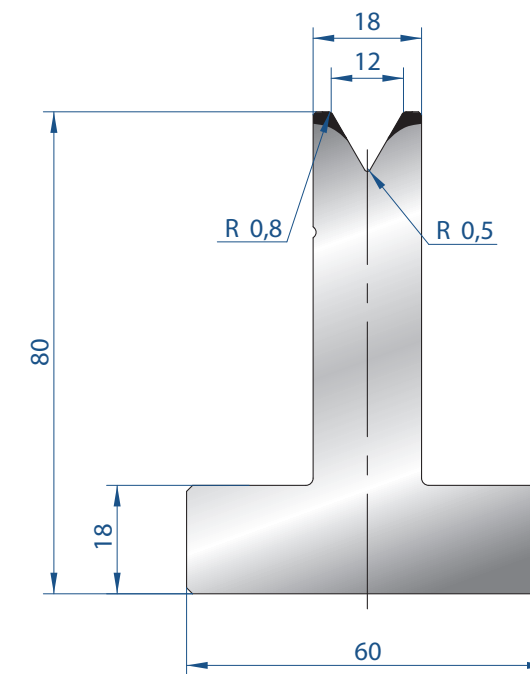
835 mm	13,0 kg
415 mm	6,0 kg
805 mm	13,0 kg
FRAZ. / SECT.	



3021

Mat = C45  
Max T/m = 60  
 $\alpha = 60^\circ$

835 mm	13,0 kg
415 mm	6,0 kg
805 mm	13,0 kg
FRAZ. / SECT.	

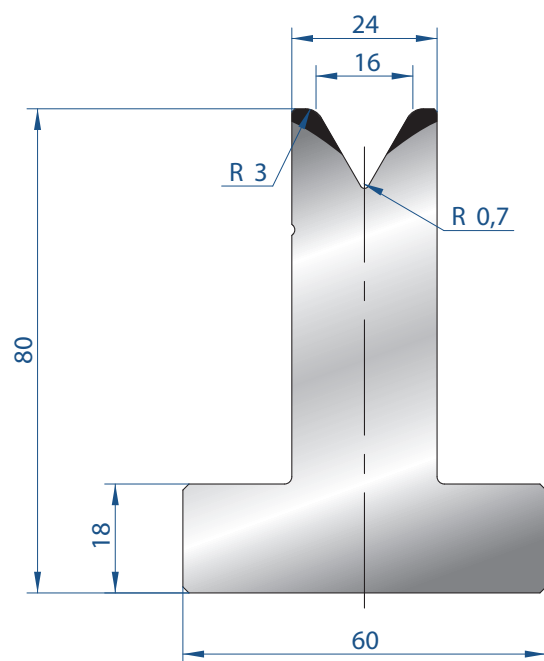


3022

Mat = C45  
Max T/m = 60  
 $\alpha = 60^\circ$

835 mm	13,0 kg
415 mm	6,0 kg
805 mm	13,0 kg
FRAZ. / SECT.	

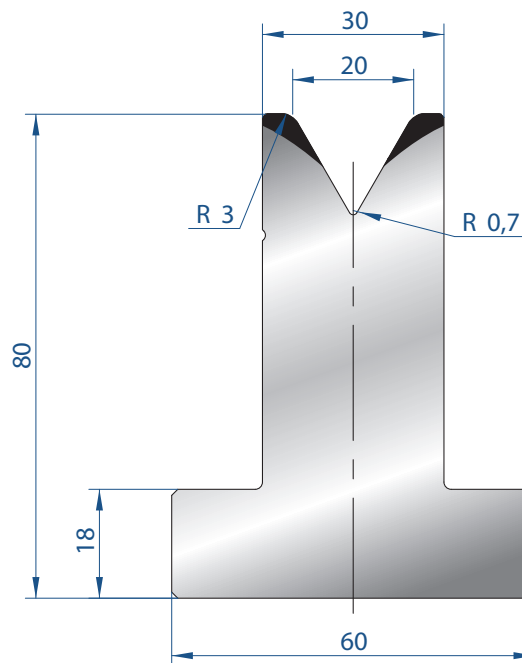




3023

Mat = C45  
Max T/m = 75  
 $\alpha = 60^\circ$

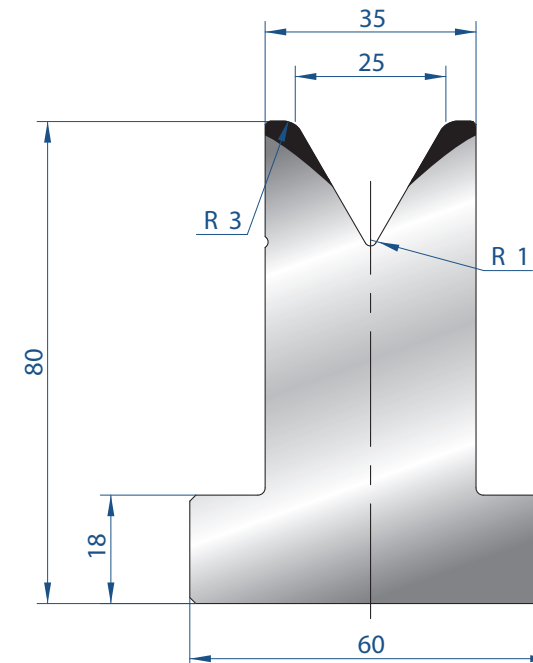
835 mm	18,0 kg
415 mm	9,0 kg
805 mm	18,0 kg
FRAZ. / SECT.	



3024

Mat = C45  
Max T/m = 70  
 $\alpha = 60^\circ$

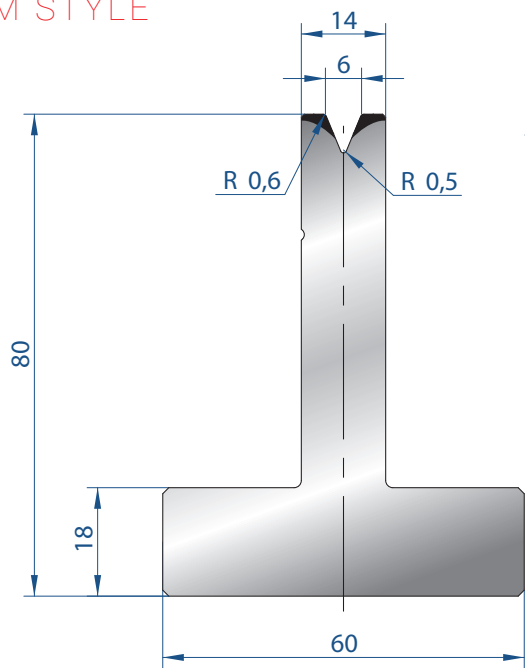
835 mm	19,0 kg
415 mm	9,0 kg
805 mm	19,0 kg
FRAZ. / SECT.	



3025

Mat = C45  
Max T/m = 65  
 $\alpha = 60^\circ$

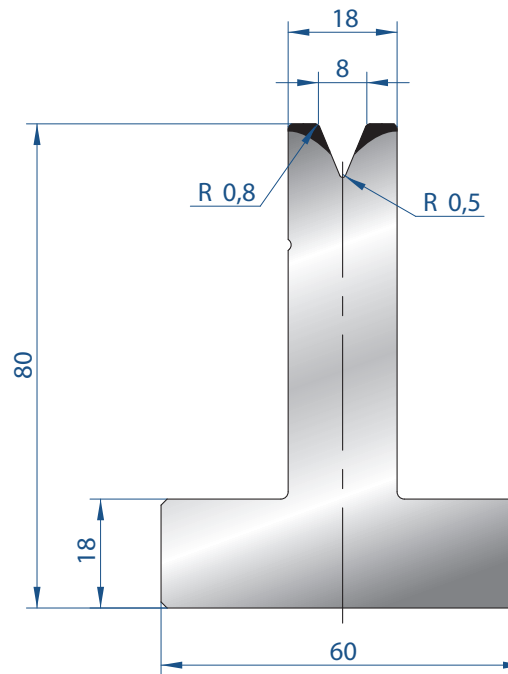
835 mm	20,0 kg
415 mm	10,0 kg
805 mm	20,0 kg
FRAZ. / SECT.	



3026

Mat = C45  
Max T/m = 50  
 $\alpha = 45^\circ$

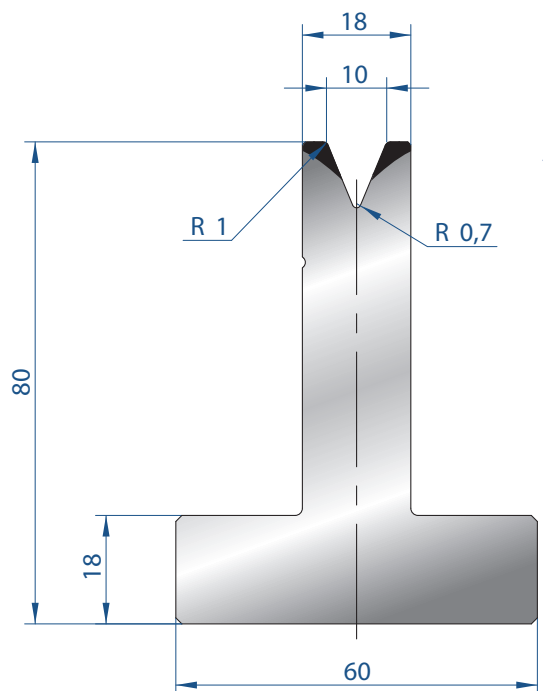
835 mm	13,0 kg
415 mm	6,0 kg
805 mm	13,0 kg
FRAZ. / SECT.	



3027

Mat = C45  
Max T/m = 50  
 $\alpha = 45^\circ$

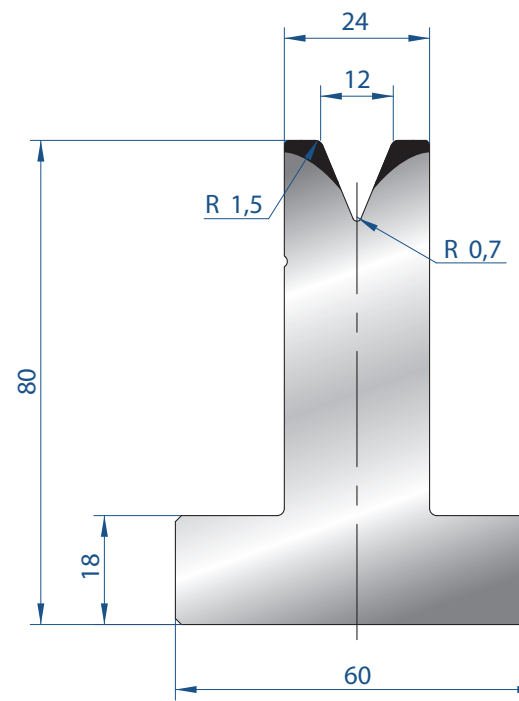
835 mm	15,0 kg
415 mm	7,0 kg
805 mm	15,0 kg
FRAZ. / SECT.	



3028

Mat = C45  
Max T/m = 50  
 $\alpha = 45^\circ$

835 mm	15,0 kg
415 mm	7,0 kg
805 mm	15,0 kg
FRAZ. / SECT.	

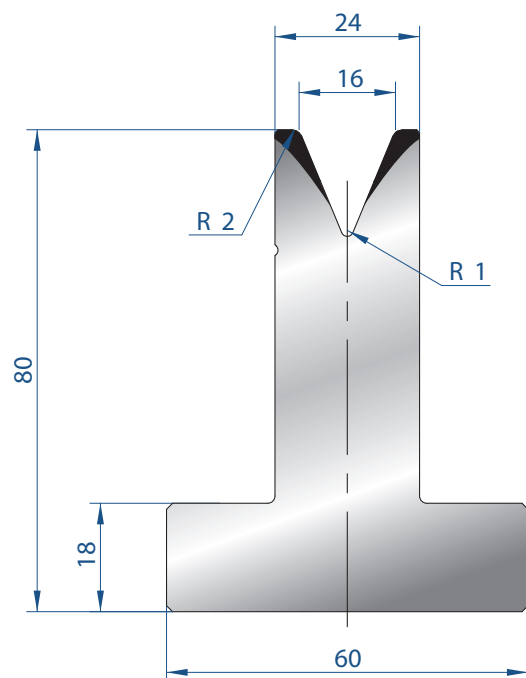


3029

Mat = C45  
Max T/m = 50  
 $\alpha = 45^\circ$

835 mm	18,0 kg
415 mm	9,0 kg
805 mm	18,0 kg
FRAZ. / SECT.	

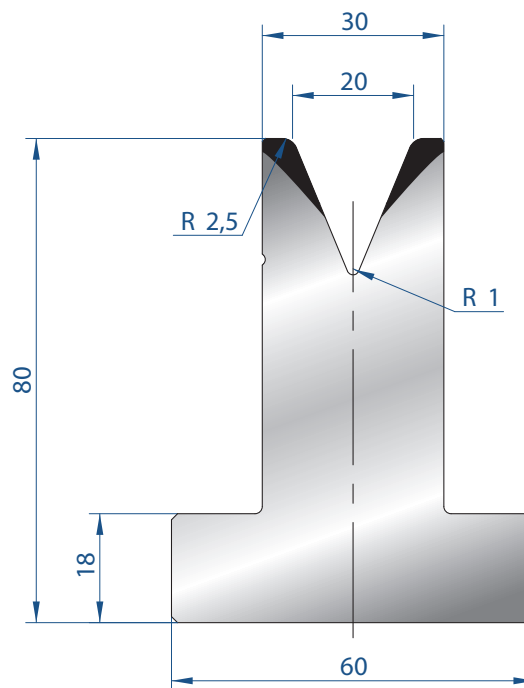




3030

Mat = C45  
Max T/m = 50  
 $\alpha = 45^\circ$

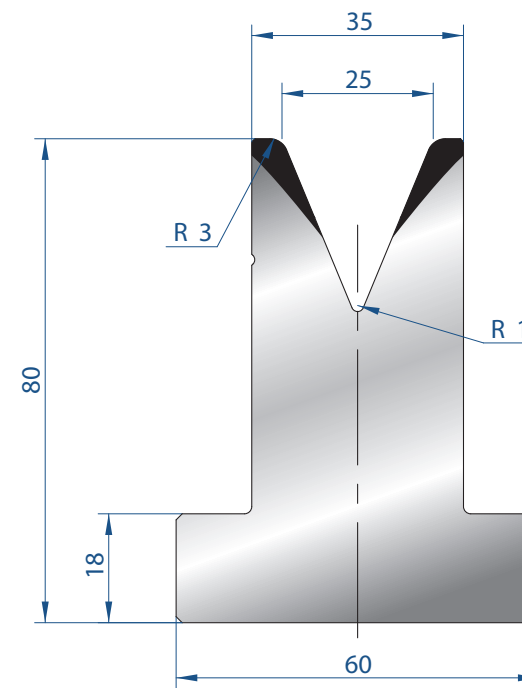
835 mm	18,0 kg
415 mm	9,0 kg
805 mm FRAZ. / SECT.	18,0 kg



3031

Mat = C45  
Max T/m = 50  
 $\alpha = 45^\circ$

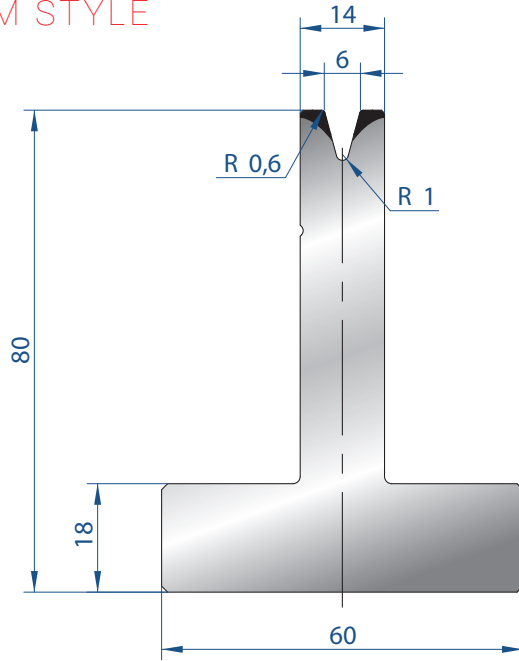
835 mm	18,0 kg
415 mm	9,0 kg
805 mm FRAZ. / SECT.	18,0 kg



3032

Mat = C45  
Max T/m = 50  
 $\alpha = 45^\circ$

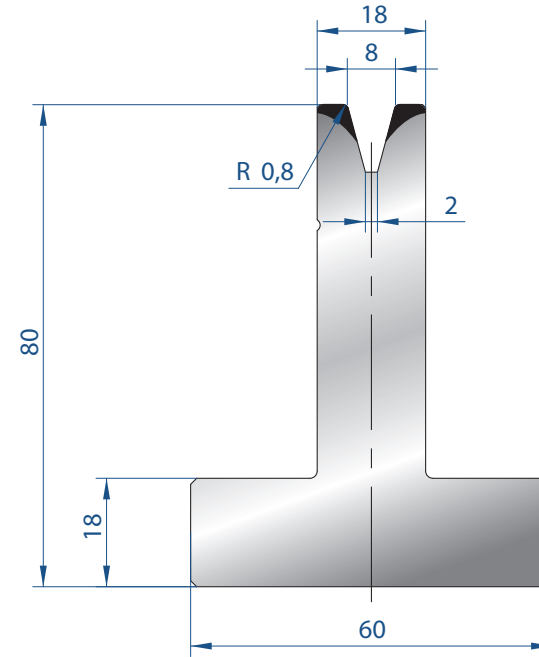
835 mm	20,0 kg
415 mm	10,0 kg
805 mm FRAZ. / SECT.	20,0 kg



3042

Mat = C45  
Max T/m = 35  
 $\alpha = 30^\circ$

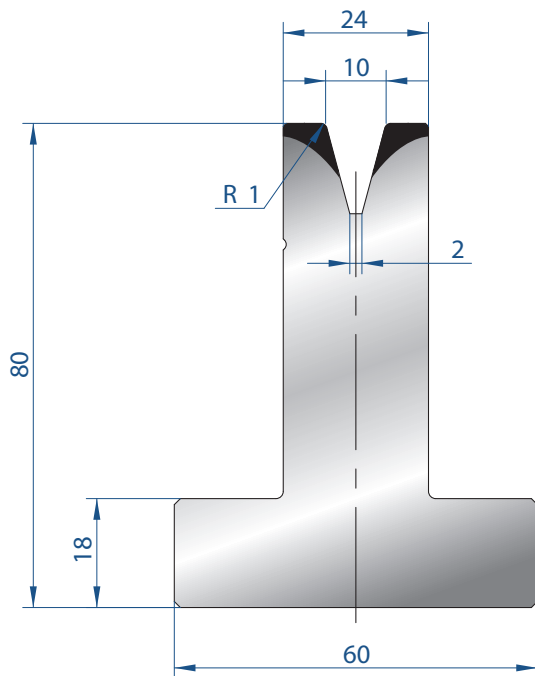
835 mm	13,0 kg
415 mm	6,0 kg
805 mm	13,0 kg
FRAZ. / SECT.	



3043

Mat = C45  
Max T/m = 40  
 $\alpha = 30^\circ$

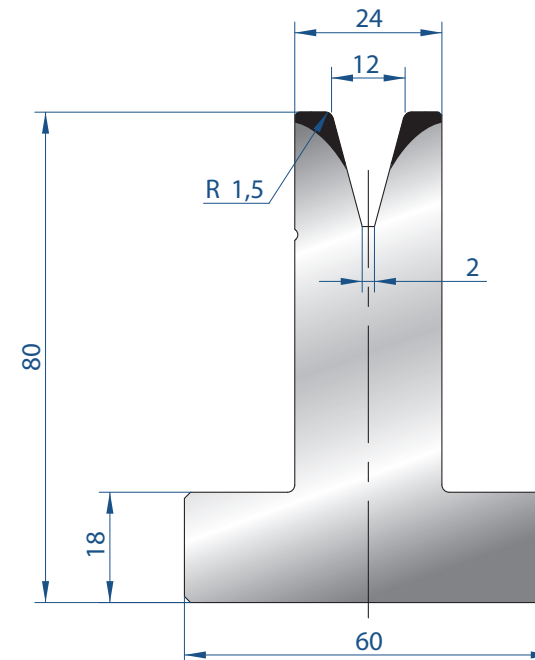
835 mm	14,0 kg
415 mm	7,0 kg
805 mm	14,0 kg
FRAZ. / SECT.	



3044

Mat = C45  
Max T/m = 50  
 $\alpha = 30^\circ$

835 mm	17,0 kg
415 mm	8,0 kg
805 mm	17,0 kg
FRAZ. / SECT.	

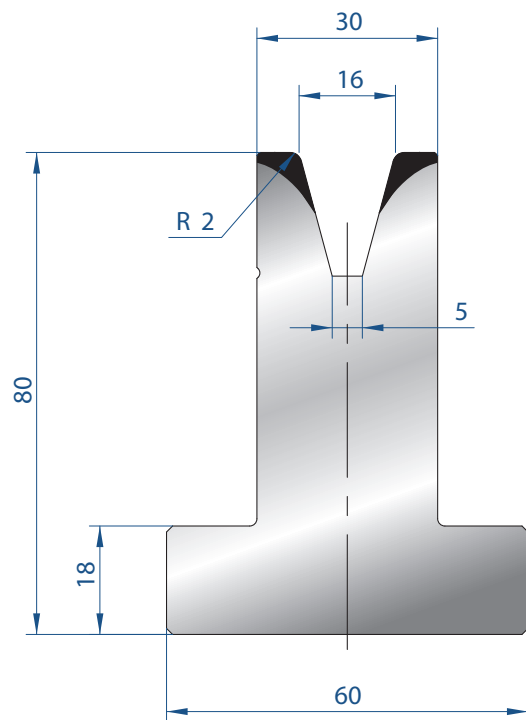


3045

Mat = C45  
Max T/m = 50  
 $\alpha = 30^\circ$

835 mm	17,0 kg
415 mm	8,0 kg
805 mm	17,0 kg
FRAZ. / SECT.	

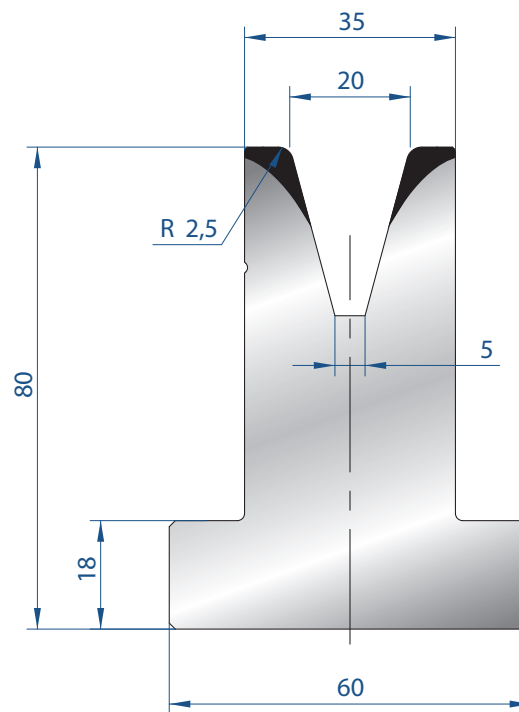




3046

Mat = C45  
Max T/m = 50  
 $\alpha = 30^\circ$

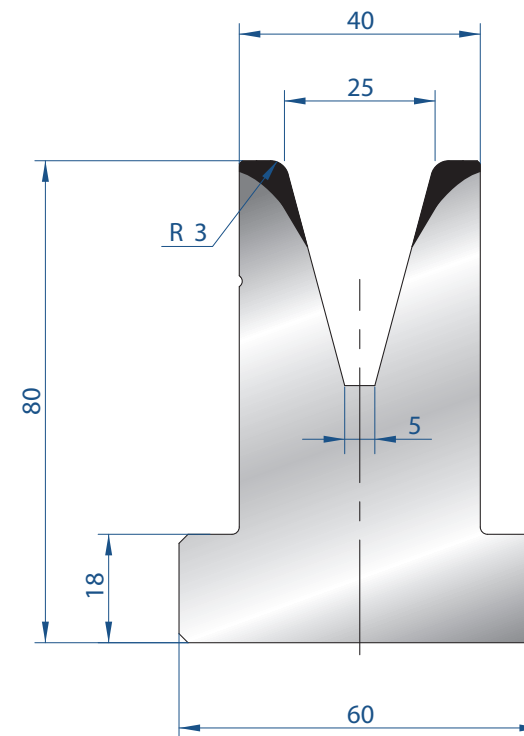
835 mm	18,0 kg
415 mm	9,0 kg
805 mm FRAZ. / SECT.	18,0 kg



3047

Mat = C45  
Max T/m = 55  
 $\alpha = 30^\circ$

835 mm	20,0 kg
415 mm	10,0 kg
805 mm FRAZ. / SECT.	20,0 kg

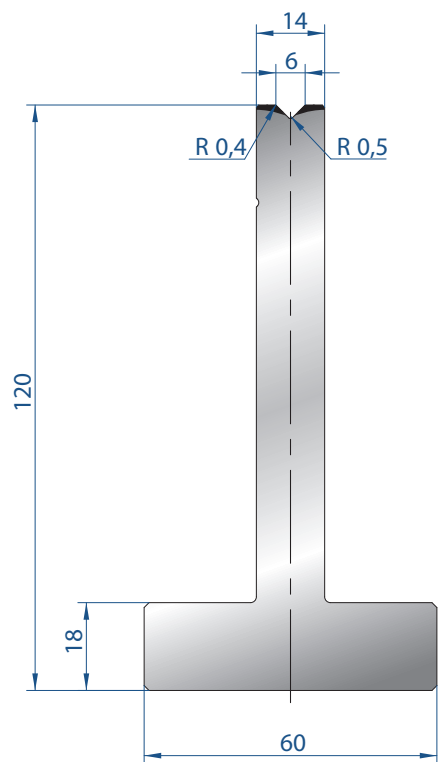


3048

Mat = C45  
Max T/m = 55  
 $\alpha = 30^\circ$

835 mm	20,0 kg
415 mm	10,0 kg
805 mm FRAZ. / SECT.	20,0 kg

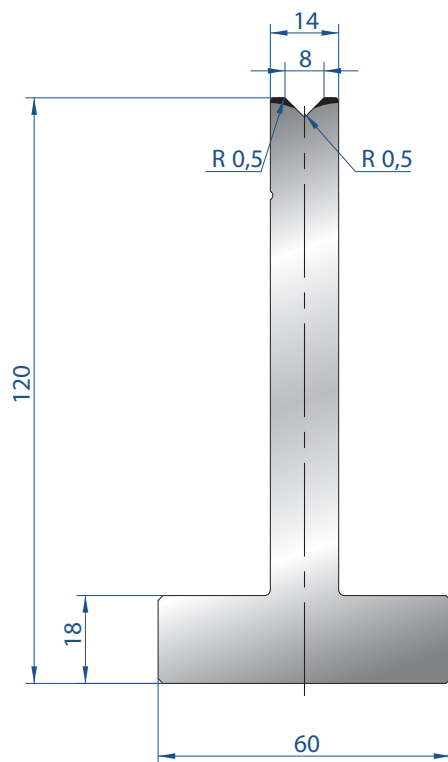




3050

Mat = C45  
Max T/m = 100  
 $\alpha = 90^\circ$

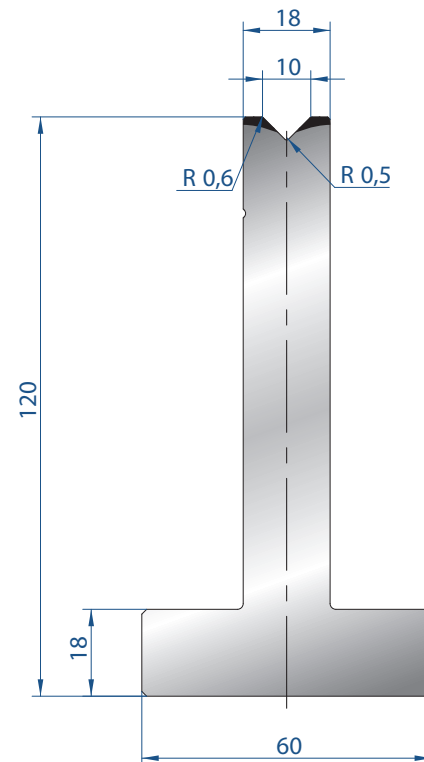
835 mm	17,0 kg
415 mm	8,0 kg
805 mm FRAZ. / SECT.	17,0 kg



3051

Mat = C45  
Max T/m = 100  
 $\alpha = 90^\circ$

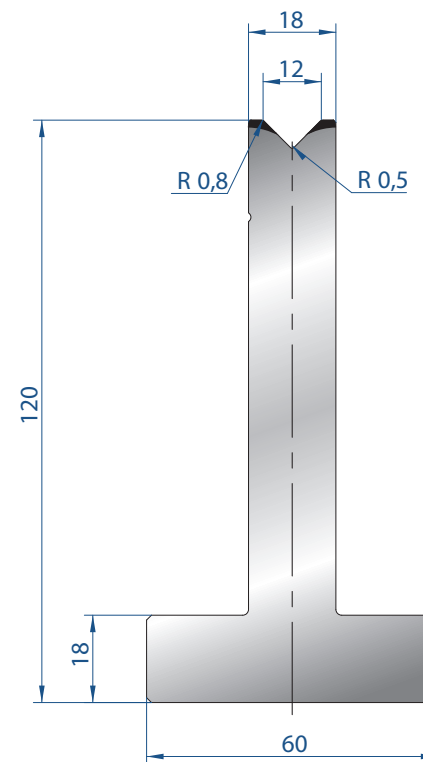
835 mm	17,0 kg
415 mm	8,0 kg
805 mm FRAZ. / SECT.	17,0 kg



3052

Mat = C45  
Max T/m = 100  
 $\alpha = 90^\circ$

835 mm	18,0 kg
415 mm	9,0 kg
805 mm FRAZ. / SECT.	18,0 kg

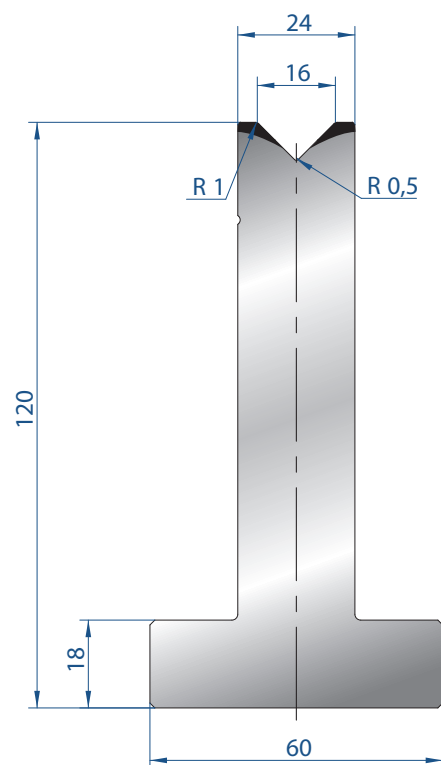


3053

Mat = C45  
Max T/m = 100  
 $\alpha = 90^\circ$

835 mm	18,0 kg
415 mm	9,0 kg
805 mm FRAZ. / SECT.	18,0 kg



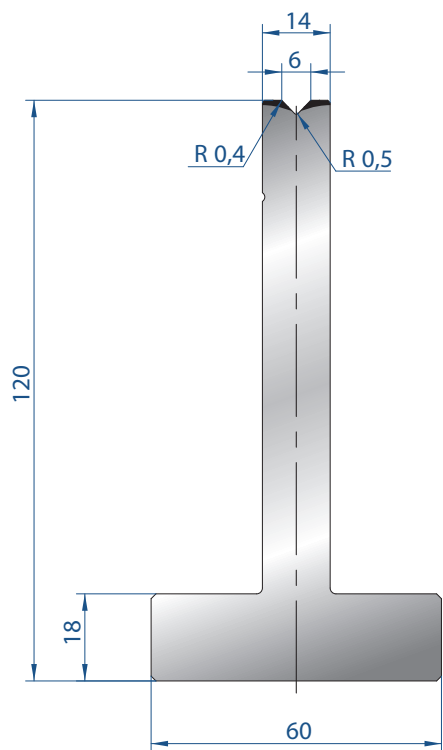


3054

Mat = C45  
Max T/m = 100  
 $\alpha = 90^\circ$

835 mm	22,0 kg
415 mm	11,0 kg
805 mm	22,0 kg
FRAZ. / SECT.	

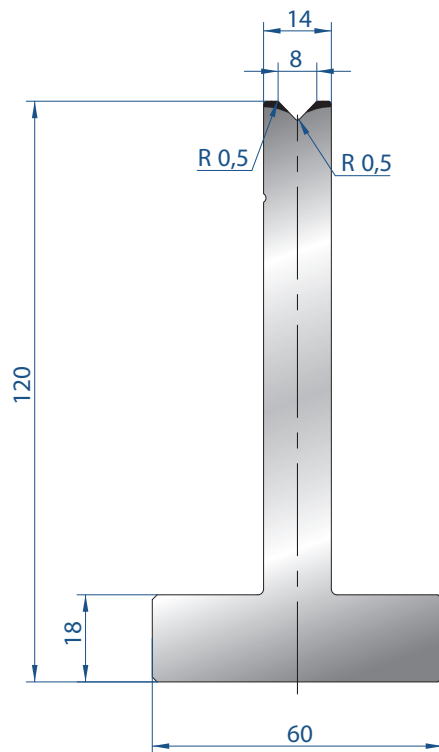




3083

Mat = C45  
Max T/m = 100  
 $\alpha = 88^\circ$

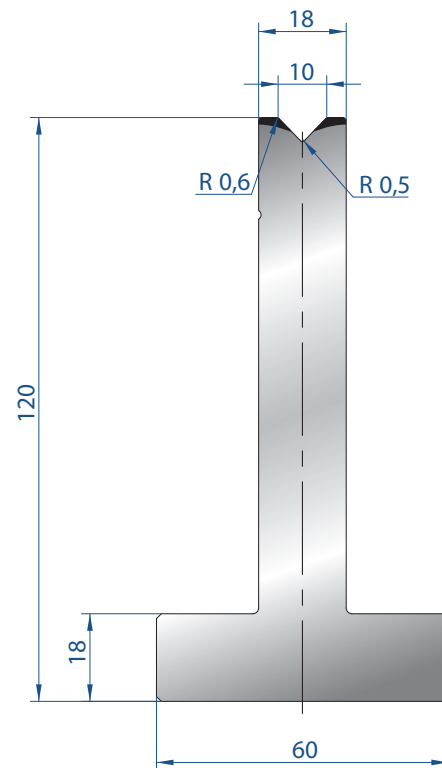
835 mm	17,0 kg
415 mm	8,0 kg
805 mm FRAZ. / SECT.	17,0 kg



3084

Mat = C45  
Max T/m = 100  
 $\alpha = 88^\circ$

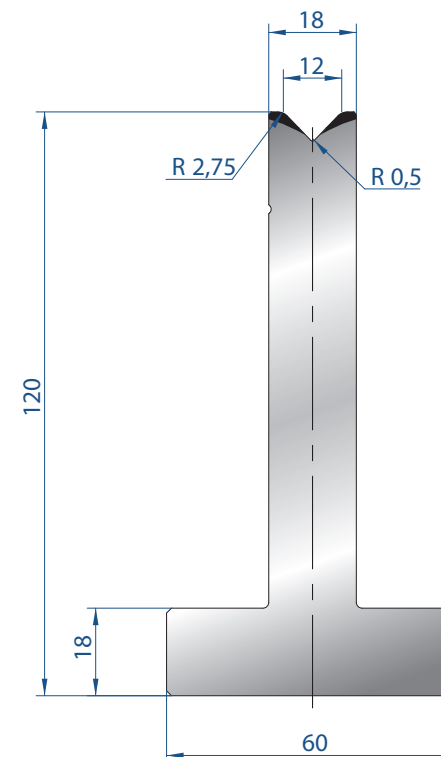
835 mm	17,0 kg
415 mm	8,0 kg
805 mm FRAZ. / SECT.	17,0 kg



3085

Mat = C45  
Max T/m = 100  
 $\alpha = 88^\circ$

835 mm	18,0 kg
415 mm	9,0 kg
805 mm FRAZ. / SECT.	18,0 kg

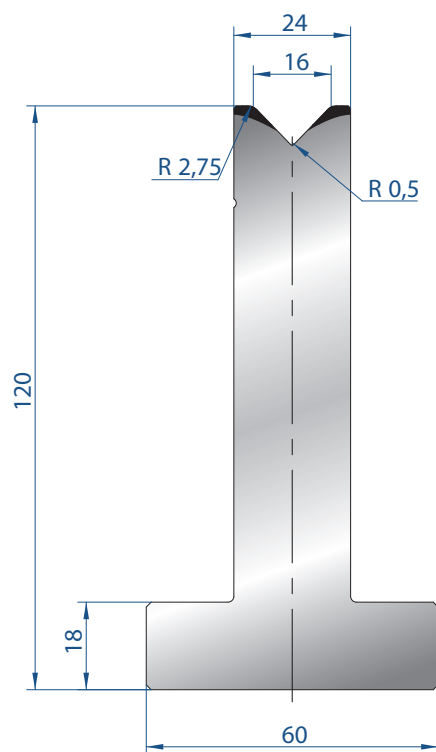


3055

Mat = C45  
Max T/m = 100  
 $\alpha = 88^\circ$

835 mm	18,0 kg
415 mm	9,0 kg
805 mm FRAZ. / SECT.	18,0 kg

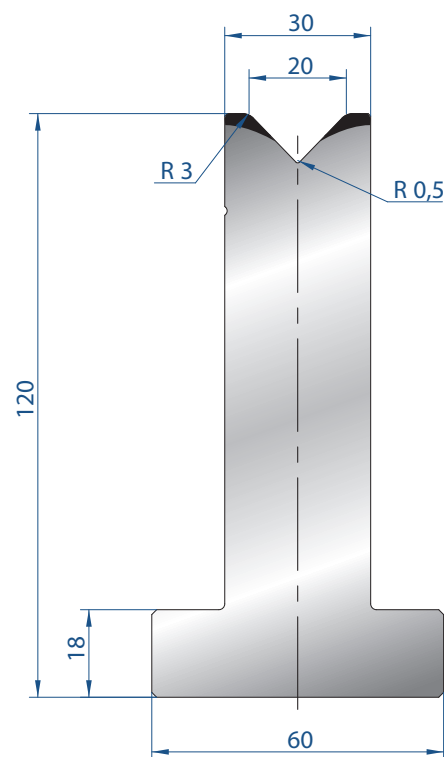




3056

Mat = C45  
Max T/m = 100  
 $\alpha = 88^\circ$

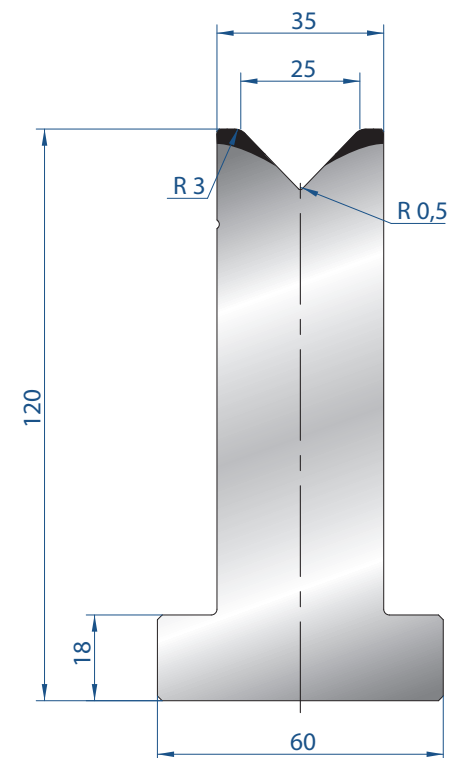
835 mm	22,0 kg
415 mm	11,0 kg
805 mm FRAZ. / SECT.	22,0 kg



3057

Mat = C45  
Max T/m = 100  
 $\alpha = 88^\circ$

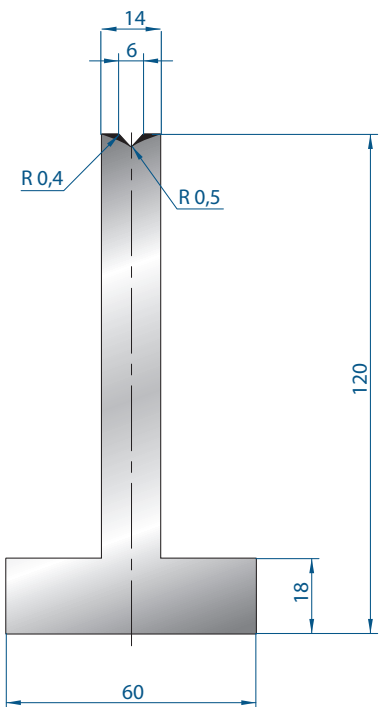
835 mm	27,0 kg
415 mm	13,0 kg
805 mm FRAZ. / SECT.	27,0 kg



3058

Mat = C45  
Max T/m = 100  
 $\alpha = 88^\circ$

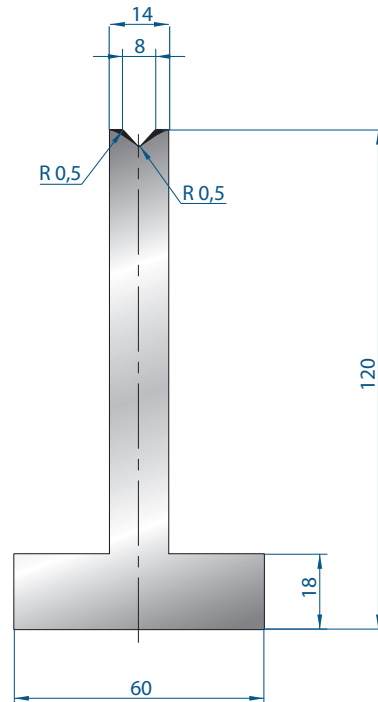
835 mm	30,0 kg
415 mm	15,0 kg
805 mm FRAZ. / SECT.	30,0 kg



3093

Mat = C45  
Max T/m = 100  
 $\alpha = 85^\circ$

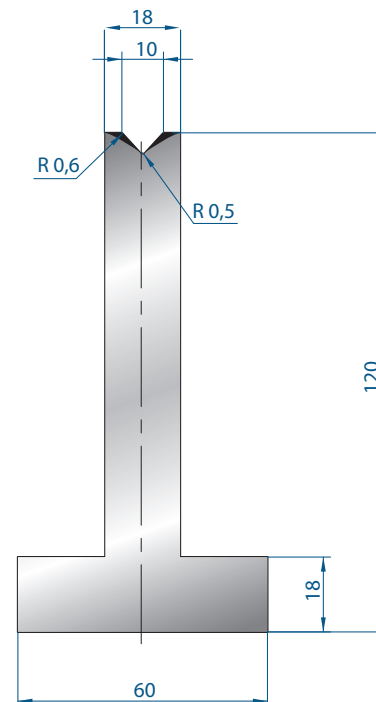
835 mm	17,0 kg
415 mm	8,0 kg
805 mm FRAZ. / SECT.	17,0 kg



3094

Mat = C45  
Max T/m = 100  
 $\alpha = 85^\circ$

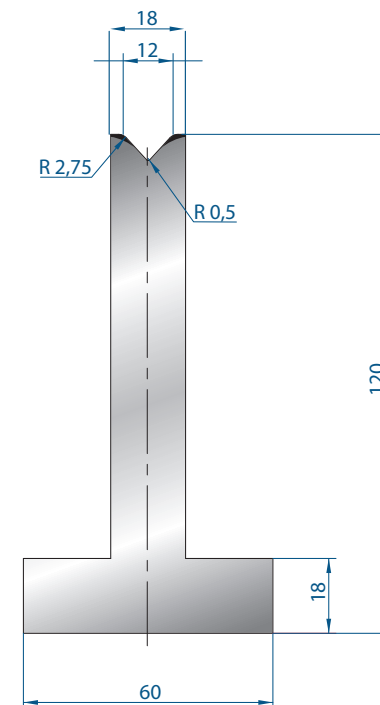
835 mm	17,0 kg
415 mm	8,0 kg
805 mm FRAZ. / SECT.	17,0 kg



3095

Mat = C45  
Max T/m = 100  
 $\alpha = 85^\circ$

835 mm	18,0 kg
415 mm	9,0 kg
805 mm FRAZ. / SECT.	18,0 kg

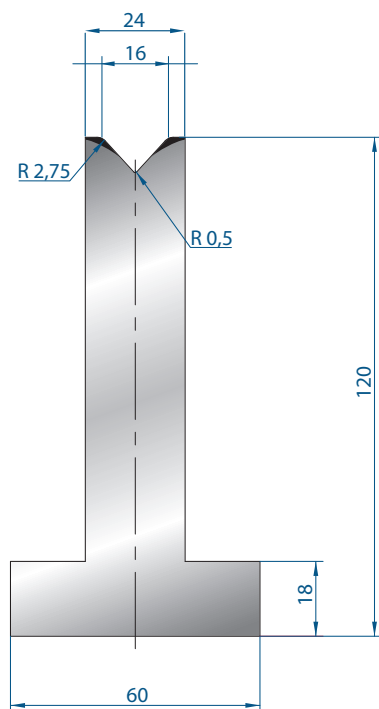


3096

Mat = C45  
Max T/m = 100  
 $\alpha = 85^\circ$

835 mm	18,0 kg
415 mm	9,0 kg
805 mm FRAZ. / SECT.	18,0 kg

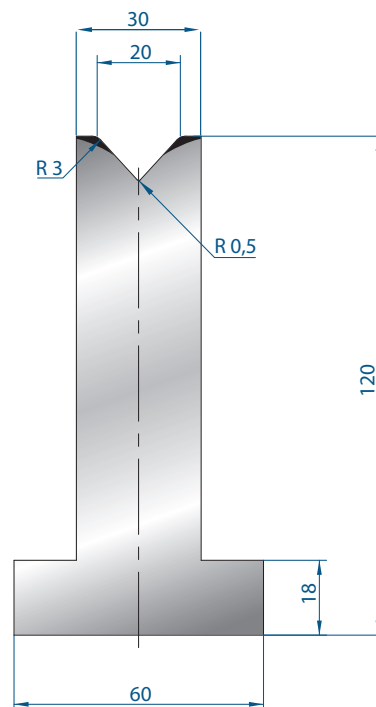




3097

Mat = C45  
Max T/m = 100  
 $\alpha = 85^\circ$

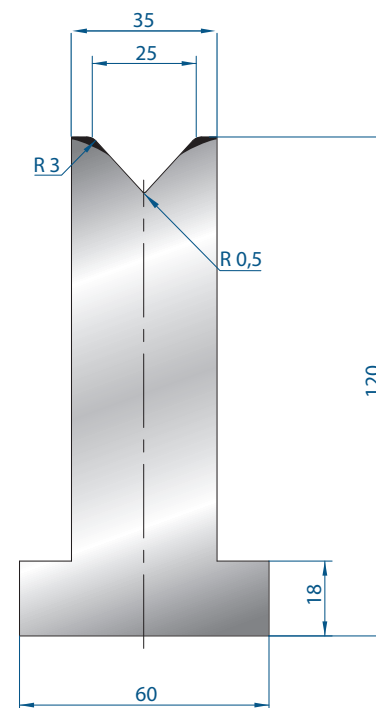
835 mm	22,0 kg
415 mm	11,0 kg
805 mm FRAZ. / SECT.	22,0 kg



3098

Mat = C45  
Max T/m = 100  
 $\alpha = 85^\circ$

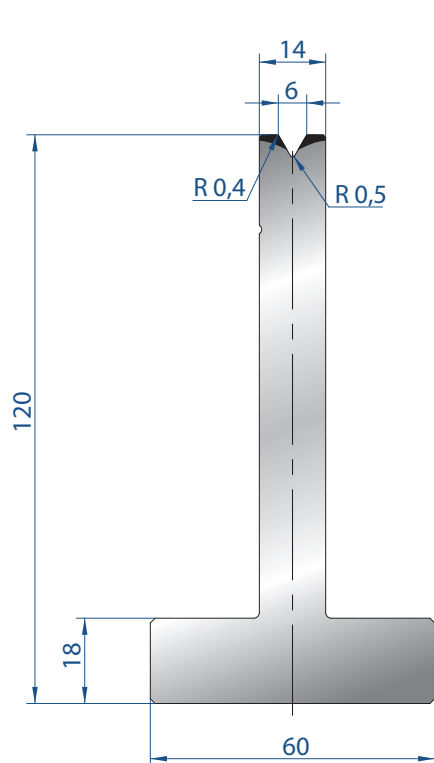
835 mm	27,0 kg
415 mm	13,0 kg
805 mm FRAZ. / SECT.	27,0 kg



3099

Mat = C45  
Max T/m = 100  
 $\alpha = 85^\circ$

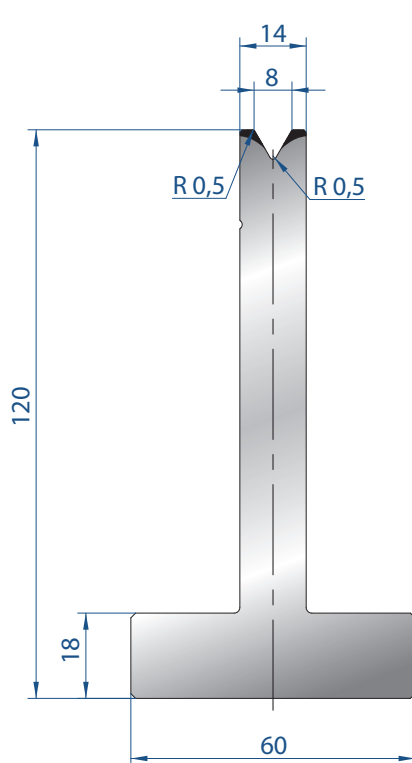
835 mm	13,0 kg
415 mm	5,0 kg
805 mm FRAZ. / SECT.	13,0 kg



3059

Mat = C45  
Max T/m = 60  
 $\alpha = 60^\circ$

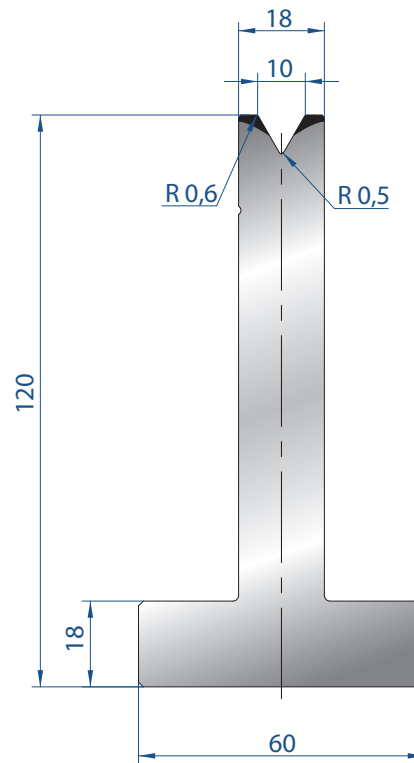
835 mm	17,0 kg
415 mm	8,0 kg
805 mm FRAZ. / SECT.	17,0 kg



3060

Mat = C45  
Max T/m = 60  
 $\alpha = 60^\circ$

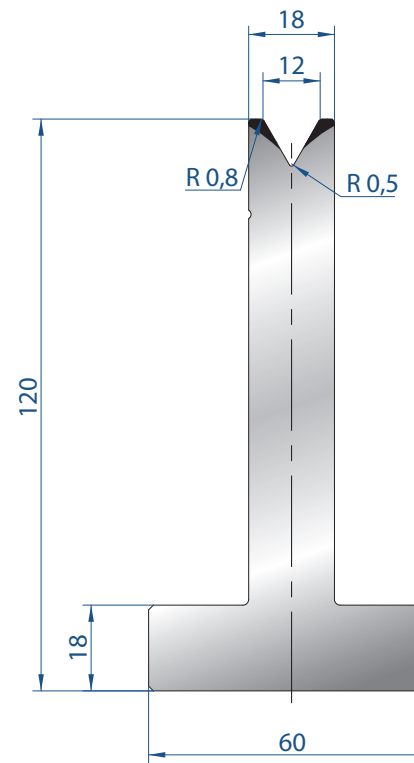
835 mm	17,0 kg
415 mm	8,0 kg
805 mm FRAZ. / SECT.	17,0 kg



3061

Mat = C45  
Max T/m = 60  
 $\alpha = 60^\circ$

835 mm	18,0 kg
415 mm	9,0 kg
805 mm FRAZ. / SECT.	18,0 kg

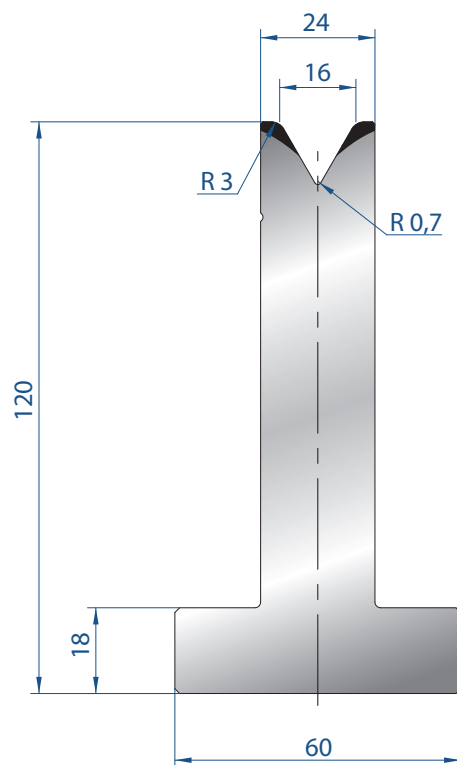


3062

Mat = C45  
Max T/m = 75  
 $\alpha = 60^\circ$

835 mm	18,0 kg
415 mm	9,0 kg
805 mm FRAZ. / SECT.	18,0 kg

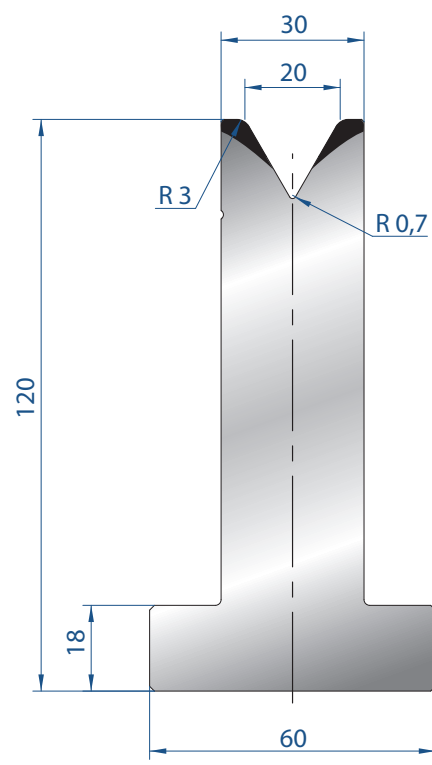




3063

Mat = C45  
Max T/m = 70  
 $\alpha = 60^\circ$

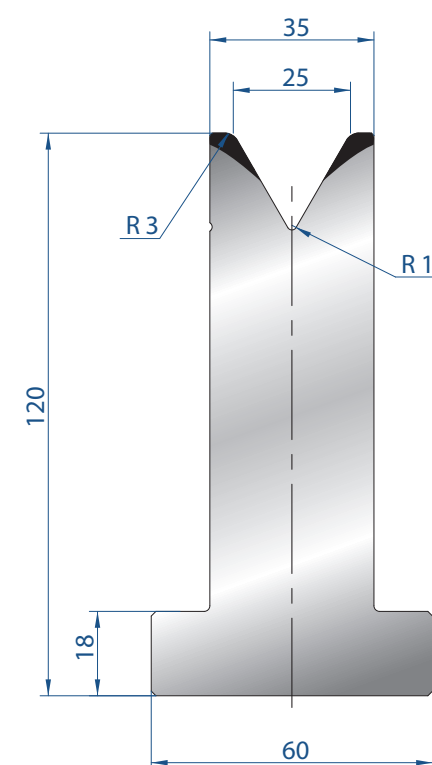
835 mm	22,0 kg
415 mm	11,0 kg
805 mm FRAZ. / SECT.	22,0 kg



3064

Mat = C45  
Max T/m = 65  
 $\alpha = 60^\circ$

835 mm	27,0 kg
415 mm	13,0 kg
805 mm FRAZ. / SECT.	27,0 kg



3065

Mat = C45  
Max T/m = 60  
 $\alpha = 60^\circ$

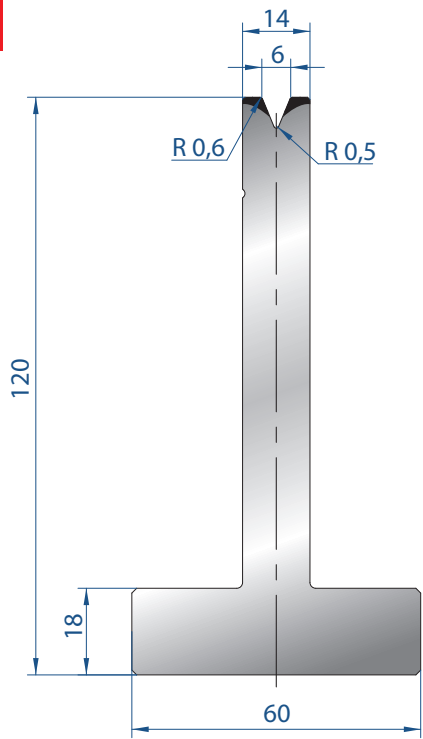
835 mm	30,0 kg
415 mm	15,0 kg
805 mm FRAZ. / SECT.	30,0 kg



AMADA  
PROMECAM STYLE



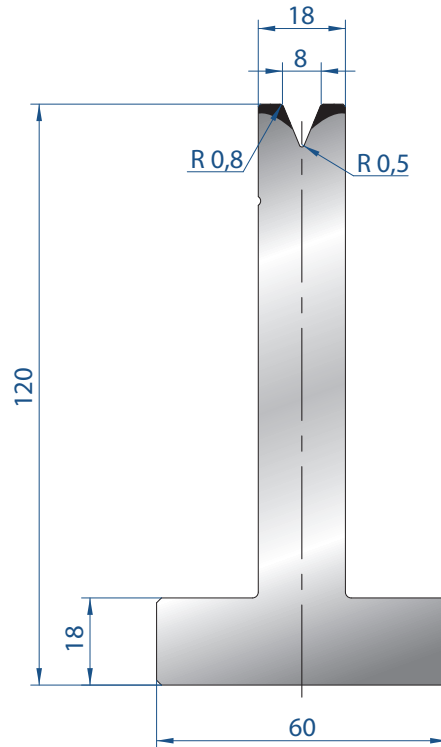




3066

Mat = C45  
Max T/m = 50  
 $\alpha = 45^\circ$

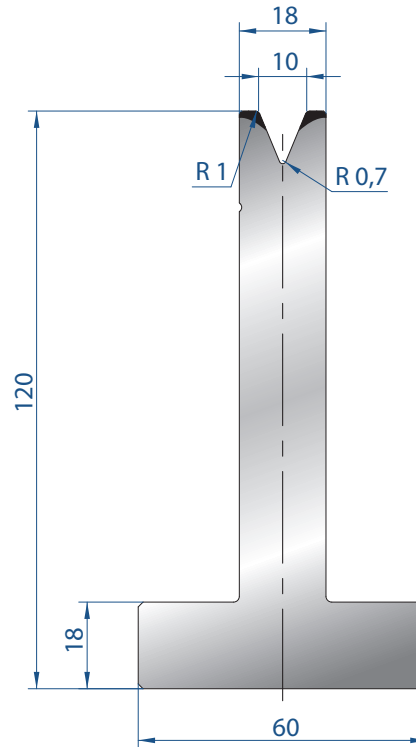
835 mm	17,0 kg
415 mm	8,0 kg
805 mm FRAZ. / SECT.	17,0 kg



3067

Mat = C45  
Max T/m = 50  
 $\alpha = 45^\circ$

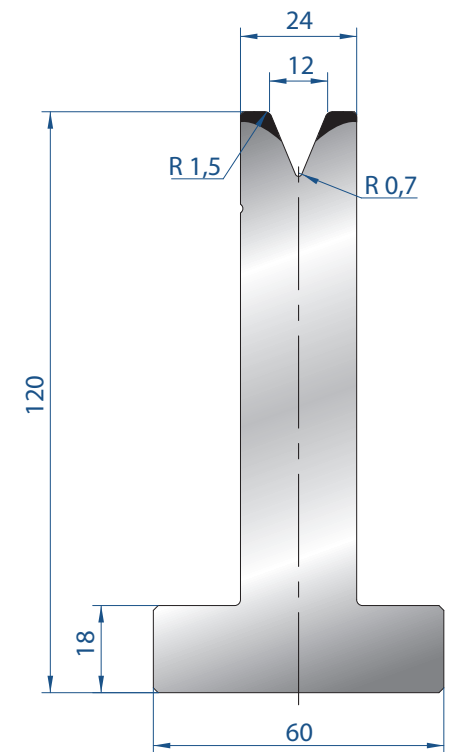
835 mm	17,0 kg
415 mm	8,0 kg
805 mm FRAZ. / SECT.	17,0 kg



3068

Mat = C45  
Max T/m = 50  
 $\alpha = 45^\circ$

835 mm	18,0 kg
415 mm	8,0 kg
805 mm FRAZ. / SECT.	17,0 kg

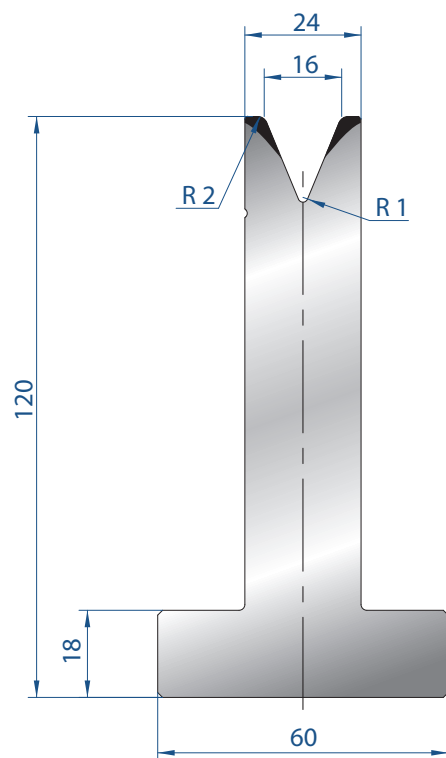


3069

Mat = C45  
Max T/m = 50  
 $\alpha = 45^\circ$

835 mm	22,0 kg
415 mm	11,0 kg
805 mm FRAZ. / SECT.	22,0 kg

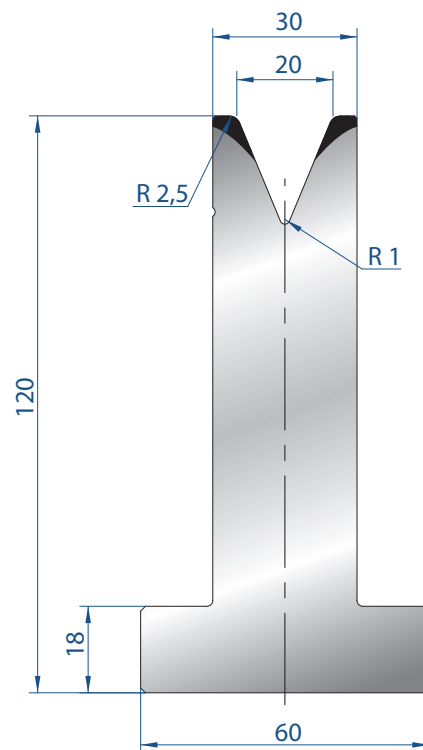




3070

Mat = C45  
Max T/m = 50  
 $\alpha = 45^\circ$

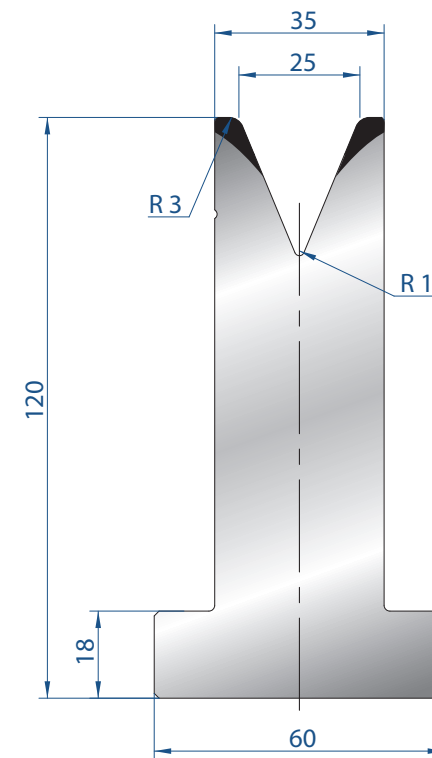
835 mm	22,0 kg
415 mm	11,0 kg
805 mm FRAZ. / SECT.	22,0 kg



3071

Mat = C45  
Max T/m = 50  
 $\alpha = 45^\circ$

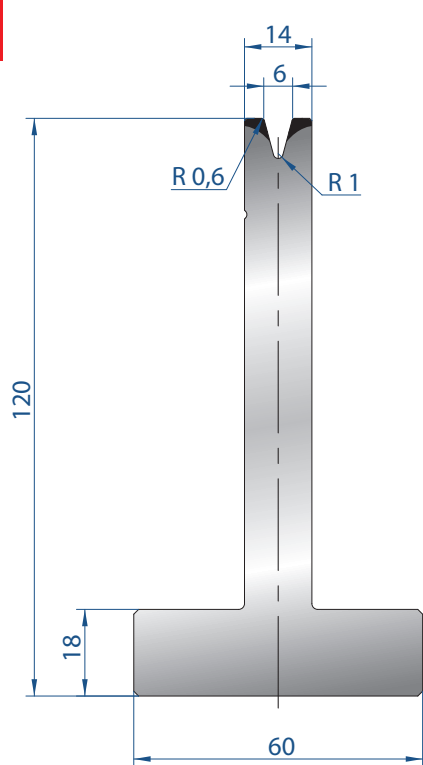
835 mm	27,0 kg
415 mm	13,0 kg
805 mm FRAZ. / SECT.	27,0 kg



3072

Mat = C45  
Max T/m = 50  
 $\alpha = 45^\circ$

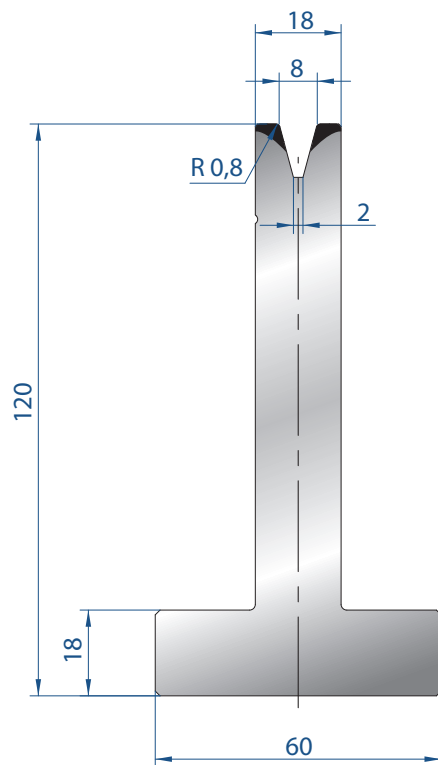
835 mm	30,0 kg
415 mm	15,0 kg
805 mm FRAZ. / SECT.	30,0 kg



3073

Mat = C45  
Max T/m = 35  
 $\alpha = 30^\circ$

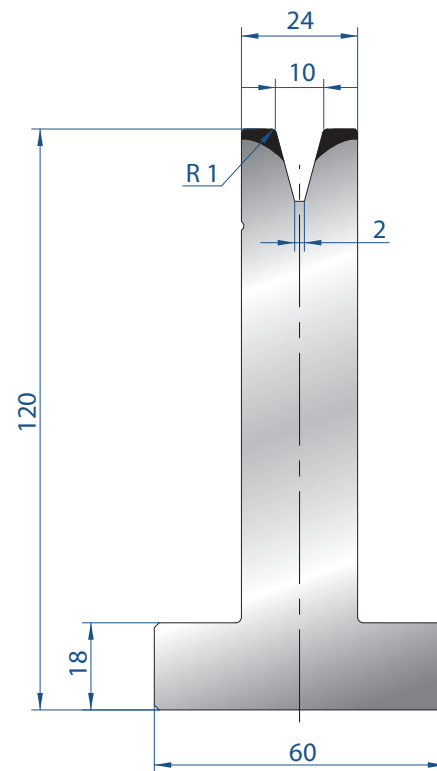
835 mm	17,0 kg
415 mm	8,0 kg
805 mm FRAZ. / SECT.	17,0 kg



3074

Mat = C45  
Max T/m = 40  
 $\alpha = 30^\circ$

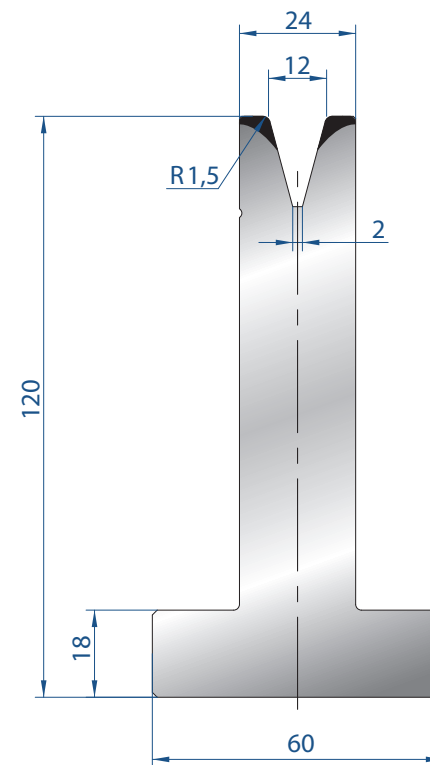
835 mm	18,0 kg
415 mm	9,0 kg
805 mm FRAZ. / SECT.	18,0 kg



3075

Mat = C45  
Max T/m = 50  
 $\alpha = 30^\circ$

835 mm	22,0 kg
415 mm	11,0 kg
805 mm FRAZ. / SECT.	22,0 kg

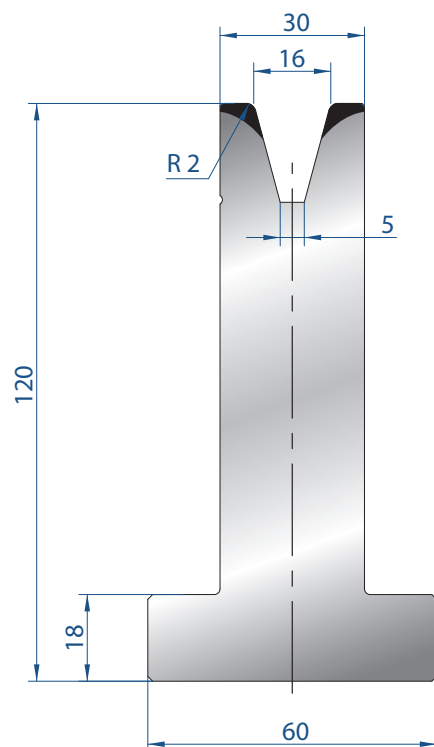


3076

Mat = C45  
Max T/m = 50  
 $\alpha = 30^\circ$

835 mm	22,0 kg
415 mm	11,0 kg
805 mm FRAZ. / SECT.	22,0 kg

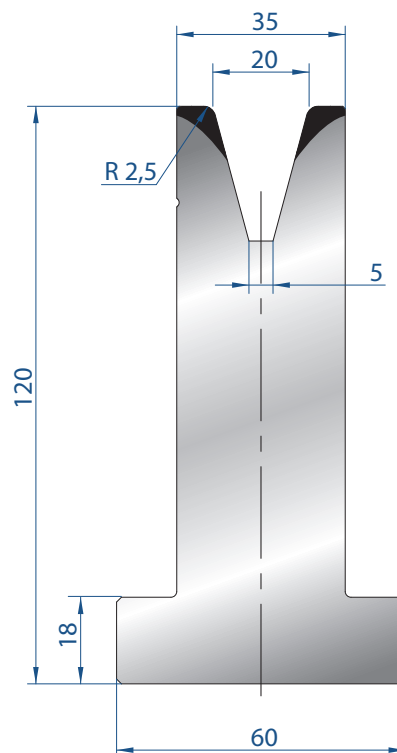




3077

Mat = C45  
Max T/m = 50  
 $\alpha = 30^\circ$

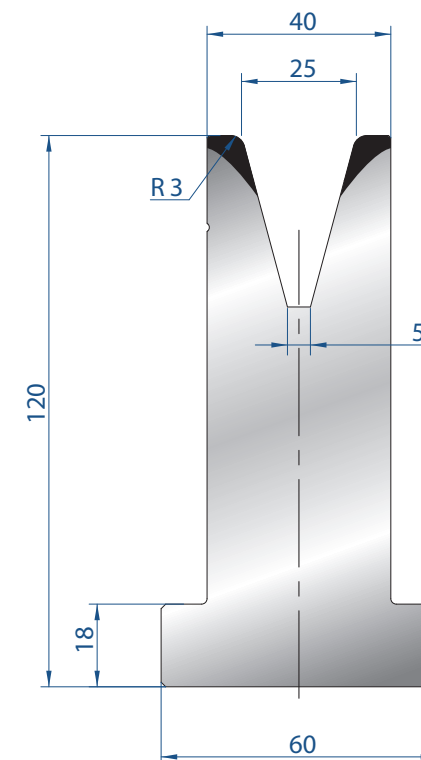
835 mm	27,0 kg
415 mm	13,0 kg
805 mm FRAZ. / SECT.	27,0 kg



3078

Mat = C45  
Max T/m = 55  
 $\alpha = 30^\circ$

835 mm	30,0 kg
415 mm	15,0 kg
805 mm FRAZ. / SECT.	30,0 kg

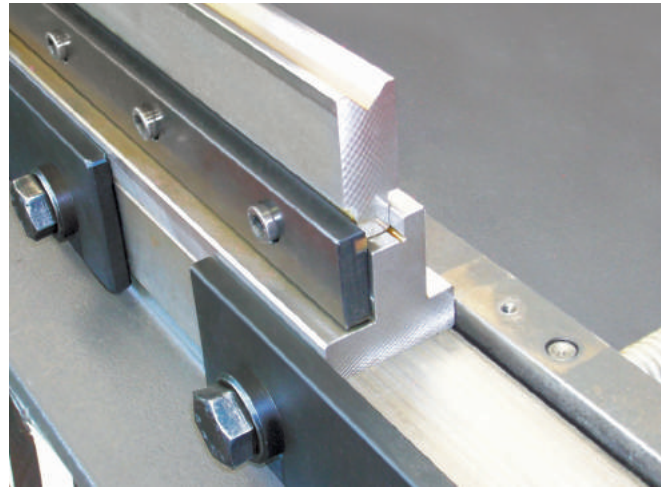
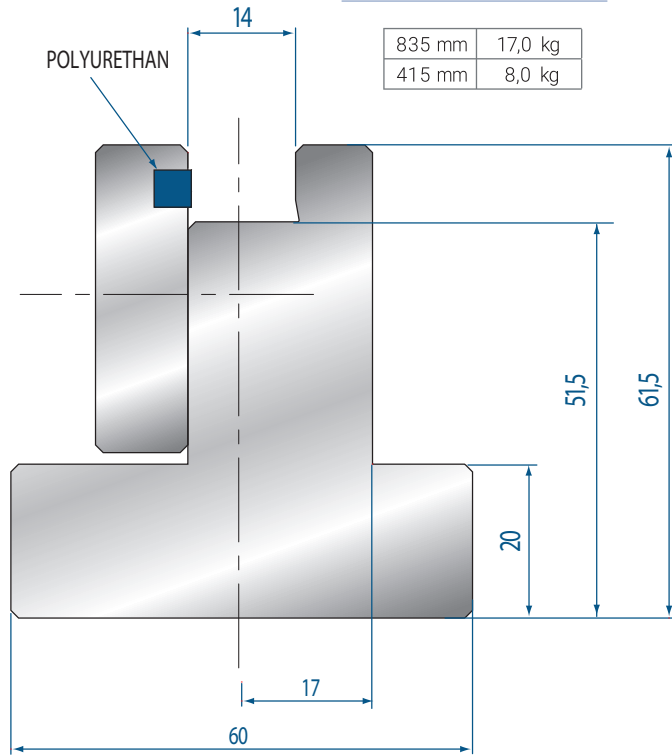


3079

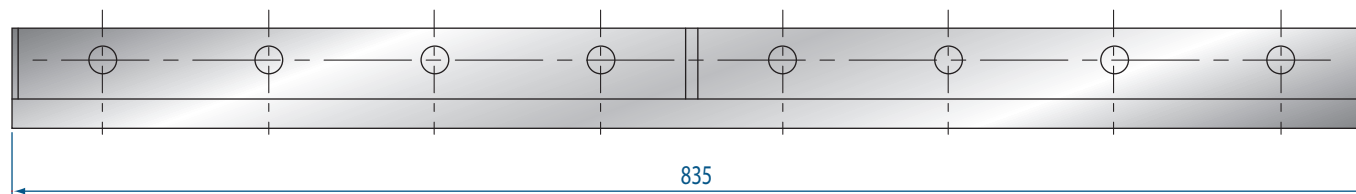
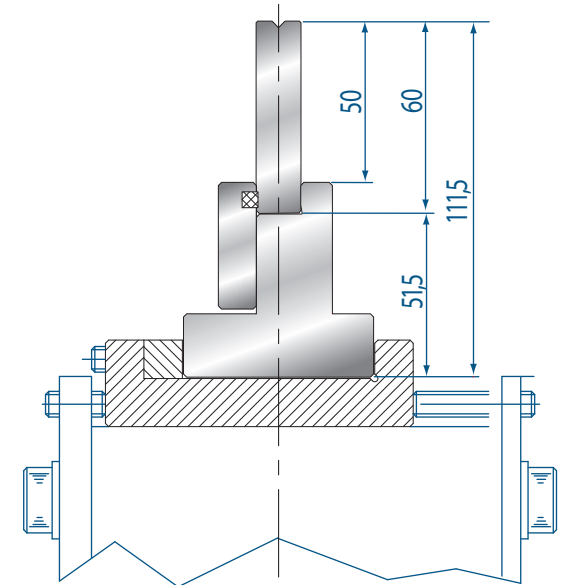
Mat = C45  
Max T/m = 50  
 $\alpha = 30^\circ$

835 mm	33,0 kg
415 mm	16,0 kg
805 mm FRAZ. / SECT.	33,0 kg

3173

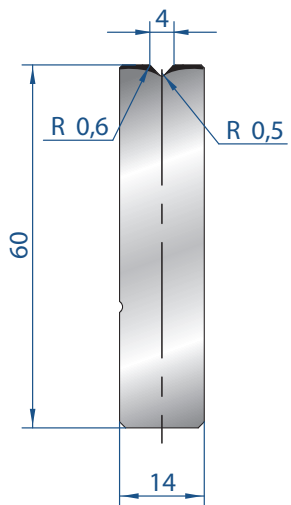


ESEMPIO DI MONTAGGIO  
ASSEMBLY EXAMPLE





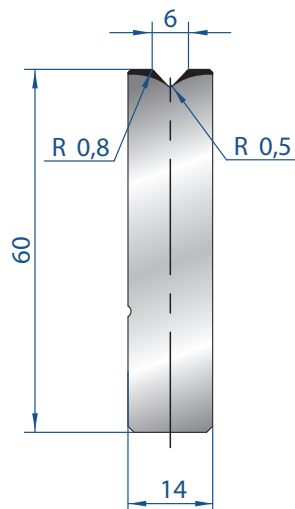




3158

Mat = C45  
Max T/m = 100  
 $\alpha = 88^\circ$

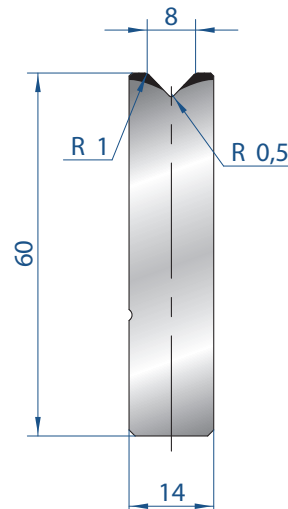
835 mm	5,0 kg
415 mm	2,0 kg
805 mm FRAZ. / SECT.	5,0 kg



3159

Mat = C45  
Max T/m = 100  
 $\alpha = 88^\circ$

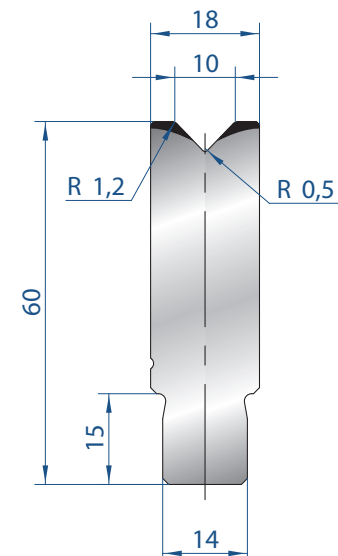
835 mm	5,0 kg
415 mm	2,0 kg
805 mm FRAZ. / SECT.	5,0 kg



3160

Mat = C45  
Max T/m = 100  
 $\alpha = 88^\circ$

835 mm	5,0 kg
415 mm	2,0 kg
805 mm FRAZ. / SECT.	5,0 kg

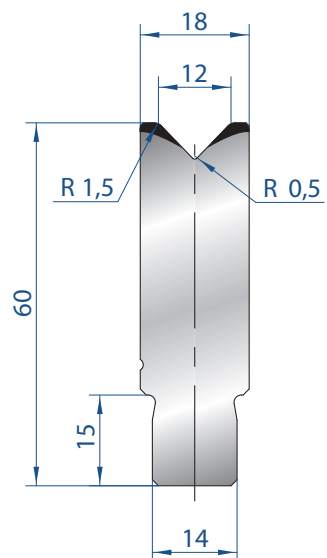


3161

Mat = C45  
Max T/m = 100  
 $\alpha = 88^\circ$

835 mm	6,0 kg
415 mm	3,0 kg
805 mm FRAZ. / SECT.	6,0 kg

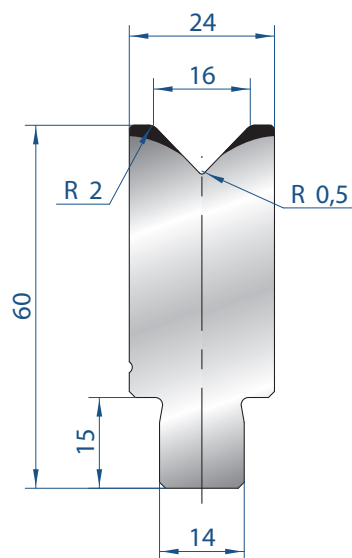




3162

**Mat = C45**  
**Max T/m = 100**  
 **$\alpha = 88^\circ$**

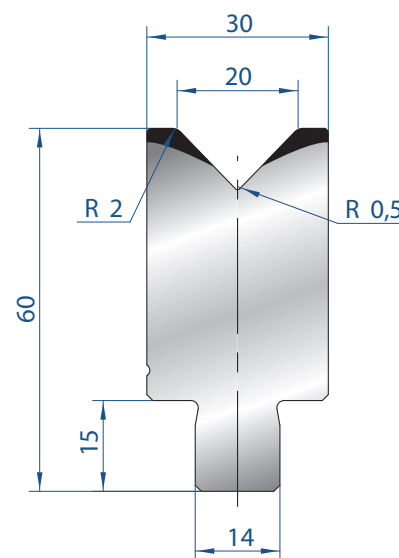
835 mm	6,0 kg
415 mm	3,0 kg
805 mm FRAZ. / SECT.	6,0 kg



3163

**Mat = C45**  
**Max T/m = 100**  
 **$\alpha = 88^\circ$**

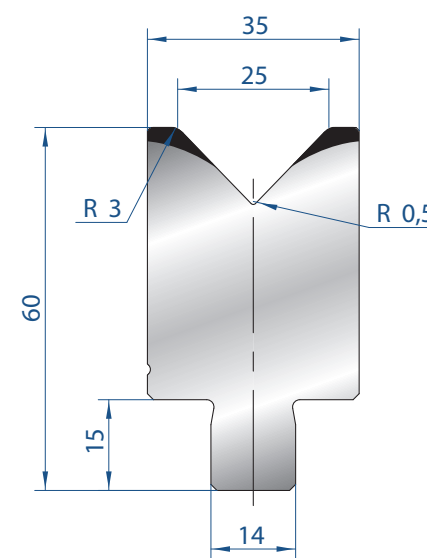
835 mm	8,0 kg
415 mm	4,0 kg
805 mm FRAZ. / SECT.	8,0 kg



3164

**Mat = C45**  
**Max T/m = 100**  
 **$\alpha = 88^\circ$**

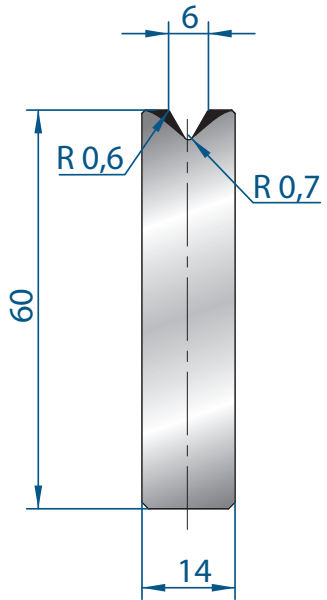
835 mm	9,0 kg
415 mm	4,0 kg
805 mm FRAZ. / SECT.	9,0 kg



3165

**Mat = C45**  
**Max T/m = 100**  
 **$\alpha = 88^\circ$**

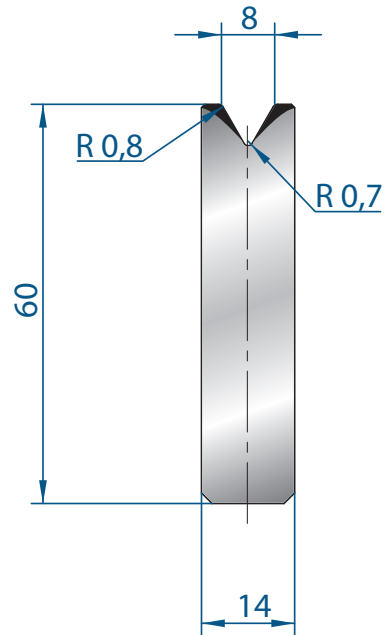
835 mm	10,0 kg
415 mm	5,0 kg
805 mm FRAZ. / SECT.	10,0 kg



3193

Mat = C45  
Max T/m = 100  
 $\alpha = 60^\circ$

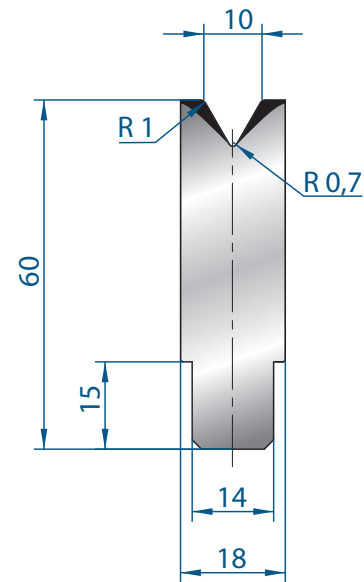
835 mm	5,4 kg
415 mm	2,7 kg
805 mm FRAZ. / SECT.	5,4 kg



3194

Mat = C45  
Max T/m = 100  
 $\alpha = 60^\circ$

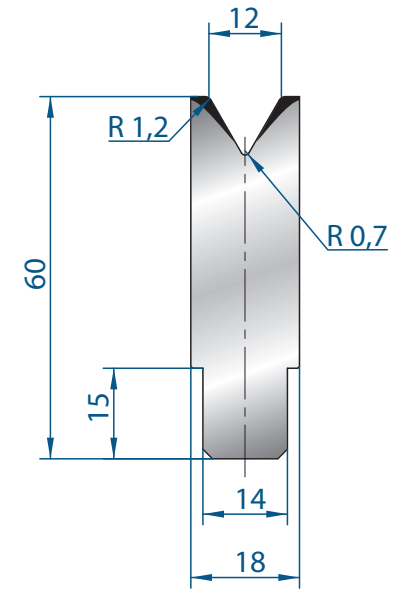
835 mm	5,4 kg
415 mm	2,7 kg
805 mm FRAZ. / SECT.	5,4 kg



3195

Mat = C45  
Max T/m = 100  
 $\alpha = 60^\circ$

835 mm	6,4 kg
415 mm	3,2 kg
805 mm FRAZ. / SECT.	6,4 kg

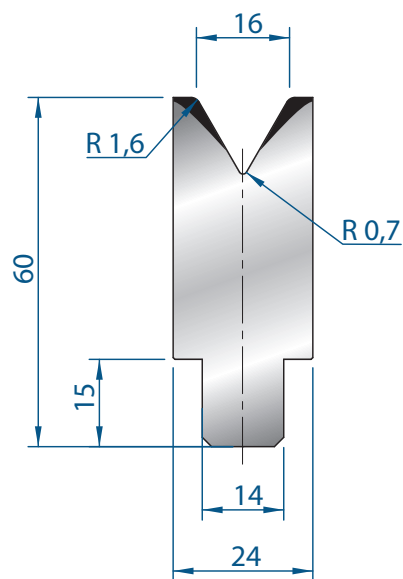


3196

Mat = C45  
Max T/m = 100  
 $\alpha = 60^\circ$

835 mm	6,2 kg
415 mm	3,1 kg
805 mm FRAZ. / SECT.	6,2 kg



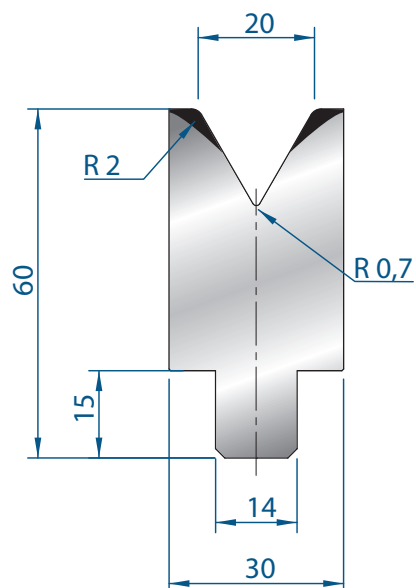


3197

Mat = C45  
Max T/m = 100

$\alpha = 60^\circ$

835 mm	7,7 kg
415 mm	3,9 kg
805 mm FRAZ. / SECT.	7,7 kg

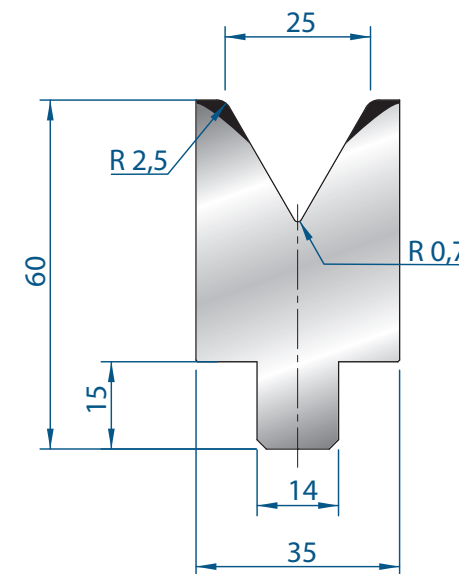


3198

Mat = C45  
Max T/m = 100

$\alpha = 60^\circ$

835 mm	9,0 kg
415 mm	4,5 kg
805 mm FRAZ. / SECT.	9,0 kg

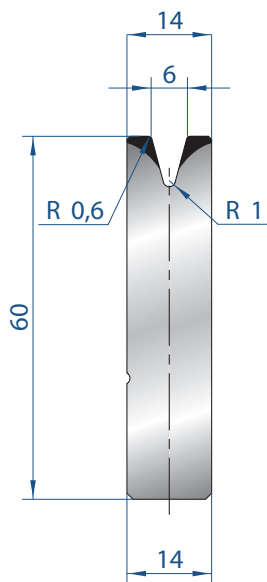


3199

Mat = C45  
Max T/m = 100

$\alpha = 60^\circ$

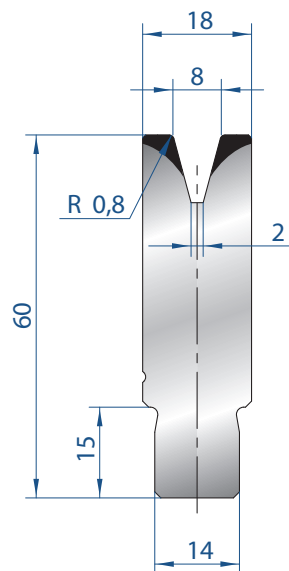
835 mm	10,0 kg
415 mm	5,0 kg
805 mm FRAZ. / SECT.	10,0 kg



3166

Mat = C45  
Max T/m = 35  
 $\alpha = 30^\circ$

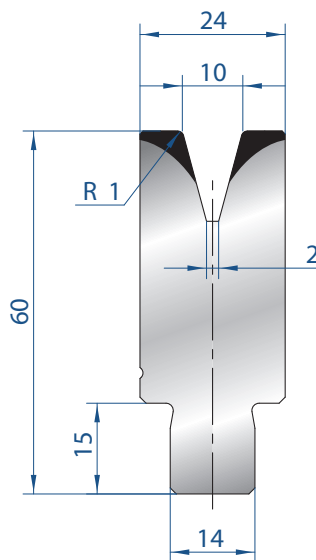
835 mm	5,0 kg
415 mm	2,0 kg
805 mm FRAZ. / SECT.	5,0 kg



3167

Mat = C45  
Max T/m = 40  
 $\alpha = 30^\circ$

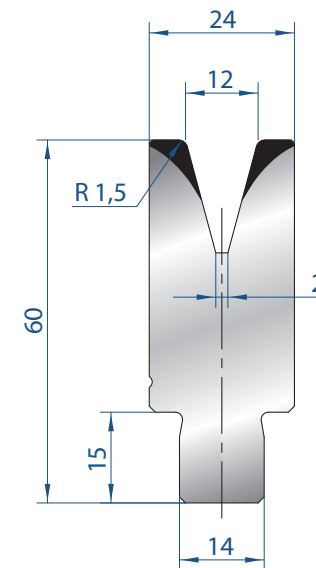
835 mm	6,0 kg
415 mm	3,0 kg
805 mm FRAZ. / SECT.	6,0 kg



3168

Mat = C45  
Max T/m = 50  
 $\alpha = 30^\circ$

835 mm	8,0 kg
415 mm	4,0 kg
805 mm FRAZ. / SECT.	8,0 kg

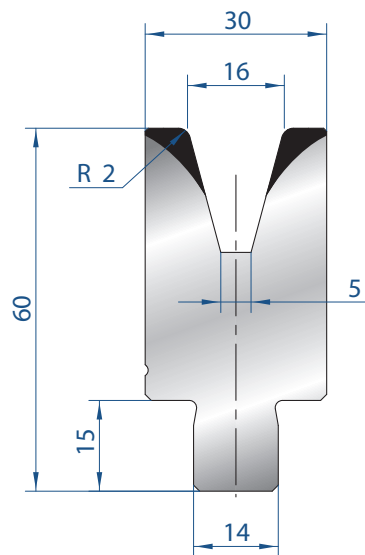


3169

Mat = C45  
Max T/m = 50  
 $\alpha = 30^\circ$

835 mm	7,0 kg
415 mm	3,0 kg
805 mm FRAZ. / SECT.	7,0 kg

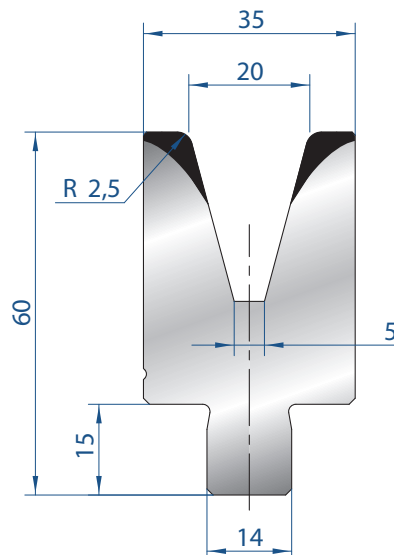




3170

Mat = C45  
Max T/m = 50  
 $\alpha = 30^\circ$

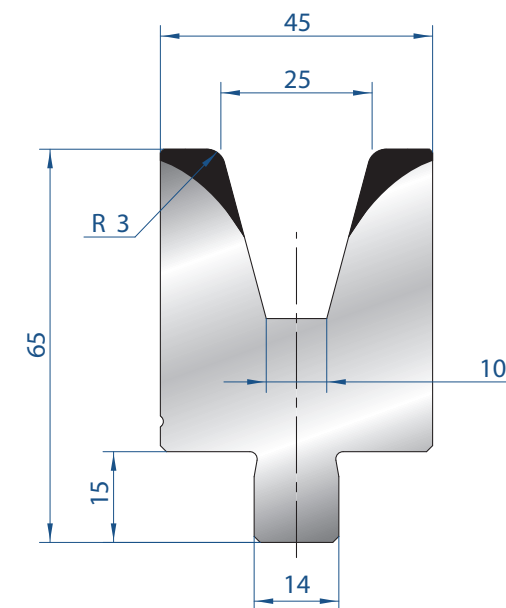
835 mm	9,0 kg
415 mm	4,0 kg
805 mm FRAZ. / SECT.	9,0 kg



3171

Mat = C45  
Max T/m = 55  
 $\alpha = 30^\circ$

835 mm	9,0 kg
415 mm	4,0 kg
805 mm FRAZ. / SECT.	9,0 kg



3172

Mat = C45  
Max T/m = 55  
 $\alpha = 30^\circ$

835 mm	13,0 kg
415 mm	6,0 kg
805 mm FRAZ. / SECT.	13,0 kg