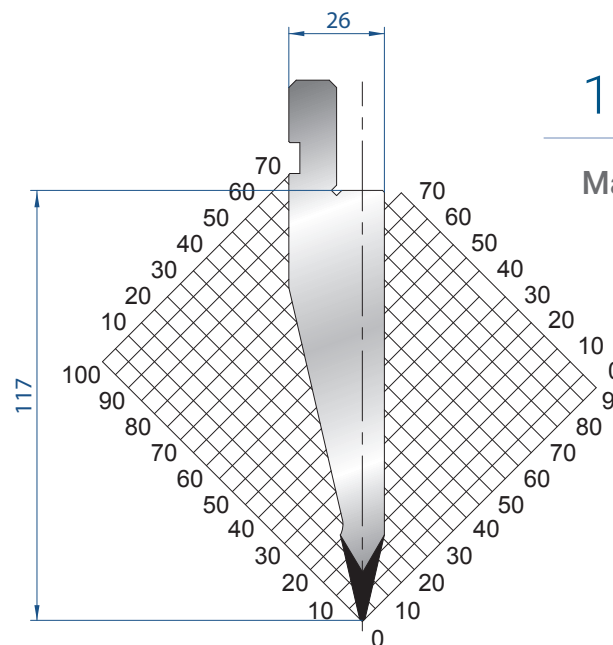


1033

Mat = C45
H = 117.00
Max T/m = 100
 $\alpha = 26^\circ$
P = 1

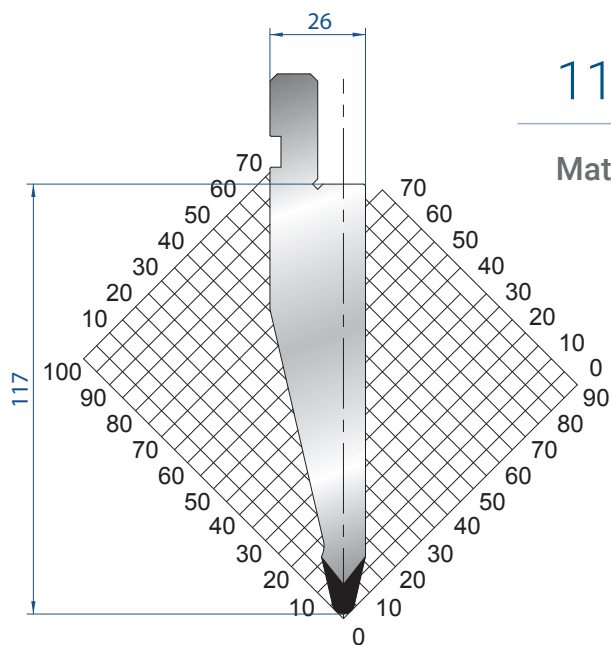
835 mm	13,8 kg
415 mm	6,0 kg
805 mm	13,8 kg
FRAZ. / SECT.	



1178

Mat = C45
H = 117.00
Max T/m = 100
 $\alpha = 26^\circ$
R = 0.8

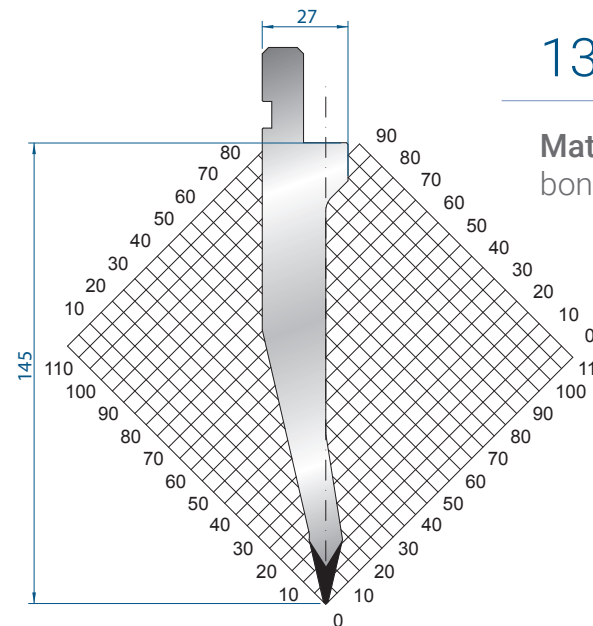
835 mm	16,0 kg
415 mm	8,0 kg
805 mm	16,0 kg
FRAZ. / SECT.	



1192

Mat = C45
H = 117.00
Max T/m = 100
 $\alpha = 26^\circ$
R = 3

835 mm	16,0 kg
415 mm	8,0 kg
805 mm	16,0 kg
FRAZ. / SECT.	



1311

Mat = 42CrMo4
bonificato / tempered
H = 145.00
Max T/m = 100
 $\alpha = 26^\circ$
R = 0.8

835 mm	14,5 kg
415 mm	7,2 kg
805 mm	14,5 kg
FRAZ. / SECT.	