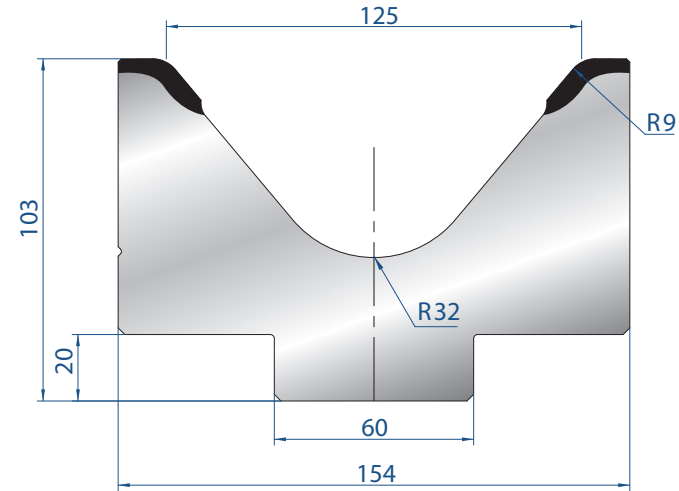


2025

Mat = C45
Max T/m = 120
 $\alpha = 80^\circ$

835 mm	50,0 kg
415 mm	25,0 kg
805 mm FRAZ. / SECT.	50,0 kg

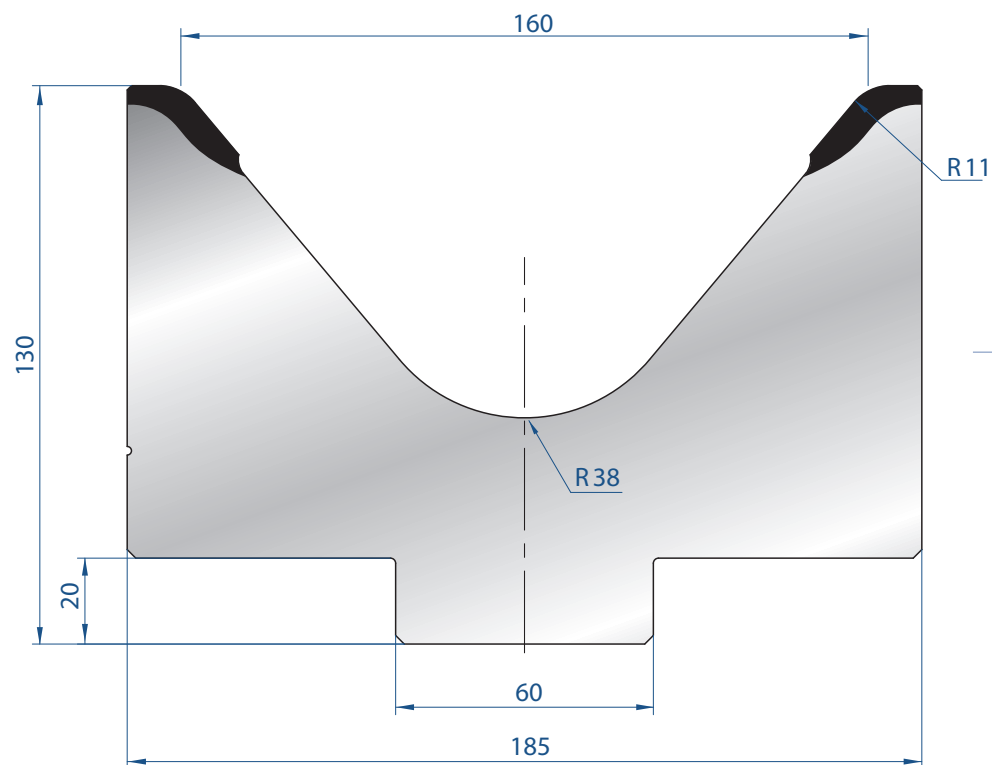


2026

Mat = C45
Max T/m = 120
 $\alpha = 80^\circ$

835 mm	70,0 kg
415 mm	35,0 kg
805 mm FRAZ. / SECT.	70,0 kg

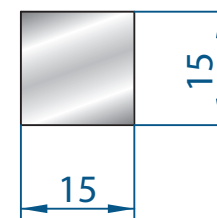




2027

Mat = C45
Max T/m = 120
 $\alpha = 80^\circ$

835 mm	91,3 kg
415 mm	51,0 kg
805 mm FRAZ. / SECT.	91,3 kg



8106

TRAFILATI 15X15
Square bar 15X15

835 mm	2,9 kg
--------	--------